



C133ED / C133EDP
2.1MP HD MPX Fixed Dome Camera



C133EDPK4
2.1MP HD MPX Fixed Dome Camera 4 Pack

FLIR MPX™

HD MPX Fixed Dome Cameras

The FLIR 2.1MP HD Fixed Dome MPX camera uses the latest HDCVI technology to deliver excellent 1080p picture quality over coax cabling in any lighting condition. Ideal for retrofit applications, the camera is compatible with FLIR MPX DVRs offering an upgrade to HD resolution without the hassle of running new cables.

HD PICTURE QUALITY

MPX 1080p HD picture quality over existing coax

- C133ED – 2.1MP HD, 1080p @ 25/30 FPS, 1/3" CMOS, 3.6mm lens, 70ft / 21m IR

EASY INSTALLATION

Upgrade to HD without the expense of re-cabling

- BNC output – MPX 1080p
- Wall / Ceiling mountable

SUPERIOR PERFORMANCE

Virtually no latency, extended cable runs up to 2001ft / 610m

- IP66 weatherproof rated
- -22°F (-30°C) Cold Climate Capable

Specifications

Camera		C133ED / C133EDP
Imaging Device	1/2.7" Exmor™	
Effective Pixels	1920 (H) x 1080 (V)	
Image Type	CMOS	
Image Readout	Progressive Scan	
Day/Night	Y	
Mechanical IR Cut Filter	Y	
Min. Illumination	0.1 Lux @ F1.2 (Color)	
S/N Ratio	≥50dB (AGC OFF)	
Horizontal Field of View	90°	
IR Illumination Range	70ft / 21m; 12 IR LEDs	
IR Wavelength	840~850nm	
Video Output	Composite 1.0Vpp @ 75ohm	
Electronic Shutter Range	1/60 (1/50) ~ 1/100,000 sec.	
Optical		
Lens Type	Board Type	
Focal Length	3.6mm	
F-Number	2.0	
Zoom	N	
Iris Control Type / Adjustment	Electronic / Auto or Manual	
Video		
Frame rates	25/30fps	
Backlight Compensation	BLC / HLC	
Wide Dynamic Range	True WDR	
White Balance	Auto / ATW / Preset / Manual	
Gain Control	AGC - 0-20 Selectable	
Noise Reduction	2D/3D - Low/Mid/High Selectable	
Window Blanking	Y - 15 Zone Selectable	
Menu Languages	English, German, French, Spanish, Russian, Polish, Italian, Portuguese	
Mechanical		
Construction	Aluminum Alloy	
Product Dimensions (W x H)	3.7 x 3.1" / 94 x 79mm	
Product Weight	0.7lbs / 0.3kg	
Electrical		
Power Input	12V DC ±10%	
Power Consumption	5W	
Current Consumption	200mA MAX with IR LED	
Environment		
Operating Temperature	-22° ~ 140°F / -30° ~ 60°C	
Operating Humidity	≤85% RH	
Ingress Protection	IP66	
Vandal Resistance	N	
Certifications		
Certifications	FCC, CE, ROHS	

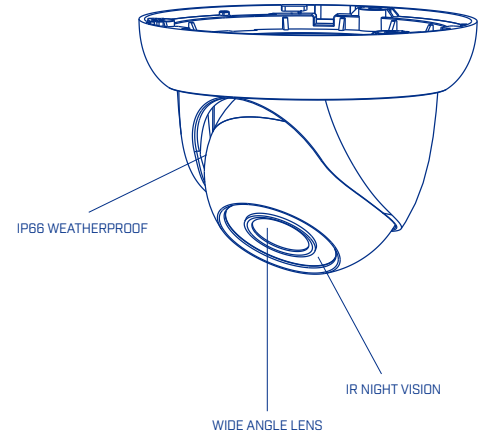
* 15FPS with WDR on

Ordering Information

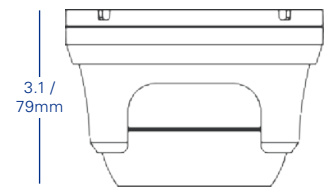
C133ED: 8-41430-01245-0
 C133EDP: 8-41430-01299-3
 C133EDPK4: 8-41430-01297-9

Package Dimensions

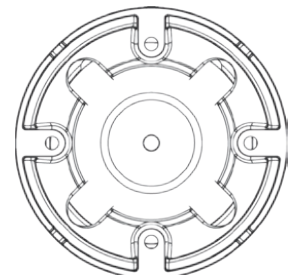
C133ED / C133EDP: 5.4 x 5.4 x 4.5" /
 137 x 137 x 114mm
 C133EDPK4: 11 x 4.6 x 11" /
 279 x 117 x 279mm



Dimensions



3.7" / 94mm



MARKHAM, ONTARIO

FLIR Systems, Inc.
 250 Royal Crest Court
 Markham, ON L3R 3S1
 Canada
 PH: +1 866.344.4674

PORTLAND

Corporate Headquarters
 FLIR Systems, Inc.
 27700 SW Parkway Ave.
 Wilsonville, OR 97070
 USA
 PH: +1 866.477.3687

www.flir.com/security
 NASDAQ: FLIR

Equipment described herein may require US Government authorization for export purposes. Diversion contrary to US law is prohibited. Imagery for illustration purposes only. Specifications are subject to change without notice. ©2015 FLIR Systems, Inc. All rights reserved. [Created 11/19/15]