

FLIR MPX™



C243MT2
2.1MP HD Vandalproof Audio Dome Camera

C243MT2 2.1MP HD Vandalproof Audio Dome Camera

The FLIR 2.1MP HD Vandalproof Audio Dome Camera uses the latest HDCVI technology to deliver excellent 1080p picture quality with audio-over-coax support. This low profile camera features EN50155 Certification for vibration/shock resistance, providing a robust video & audio solution in a sturdy IK10 vandalproof dome.

HD PICTURE QUALITY

Outstanding image detail, both day and night

- C243MT2 - 2.1MP HD, 1080p @ 25/30FPS, 1/2.8" CMOS, 2.8mm wide angle lens, 60ft/18m IR

KEY FEATURES

Upgrade to HD without the expense of re-cabling

- 1080p real-time HD video and audio over existing coax
- Built-in microphone provides listen in audio
- Inconspicuous low profile design with durable housing

BUILT TO PERFORM

Virtually no latency, extended cable runs up to 1650ft/500m

- IP67 weatherproof rated housing & IK10 vandalproof
- -22°F (-30°C) Cold Climate Capable
- EN50155 Certified for vibration & shock resistance

Specifications

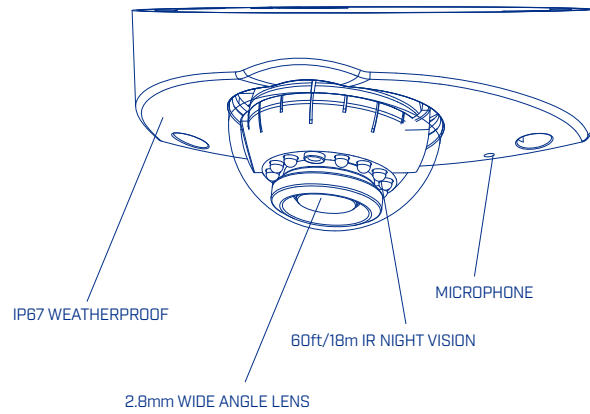
Camera		C243MT2	
Imaging Device	1/2.8" - 2.1MP		
Effective Pixels	H: 1984 V: 1225		
Image Type	CMOS		
Image Readout	Progressive Scan		
Day/Night	Y		
Mechanical IR Cut Filter	Y		
Min. Illumination	0.3 Lux @ F1.2 (Color)		
S/N Ratio	≥50dB (AGC OFF)		
Horizontal Field of View	90°		
IR Illumination Range	60ft/18m		
IR Wavelength	840~850nm		
IR On/Off Control	N		
Video Output	BNC (1080p MPX)		
Audio	Built-in microphone		
Electronic Shutter Range	1/3s (1/4s)~1/100,000s		
Optical			
Lens Type	Board Type		
Focal Length	2.8mm		
F-Number	F2.2		
Zoom	N		
Iris Control Type / Adjustment	Electronic / Auto or Manual		
Video			
Frame rates	25/30fps		
Backlight Compensation	BLC / HLC		
Wide Dynamic Range	Digital		
White Balance	Auto /Day/Night/Indoor/Outdoor/ Manual		
Gain Control	Auto		
Noise Reduction	2D / 3D (0-100)		
Window Blanking	Y - 8 Zone Selectable		
Menu Languages	English , Spanish, Portuguese, Russian, Polish, Simplified Chinese		
Mechanical			
Construction	Aluminum Alloy		
Product Dimensions (W x D x H)	4.2 x 2.0 x 1.5" / 106mm x 50mm x 38mm		
Product Weight	1.05lbs / 0.48kg		
Electrical			
Power Input	12V DC		
Power Consumption	3W		
Current Consumption	250mA		
Built-in Heater	N		
Alarm I/O	N		
Environment			
Operating Temperature	-22°F - 122°F / -30°C - 60°C		
Operating Humidity	<90% RH		
Ingress Protection	IP67		
Vandal Resistance	IK10		
Certifications			
Certifications	FCC, CE, ROHS, EN50155		

Ordering Information

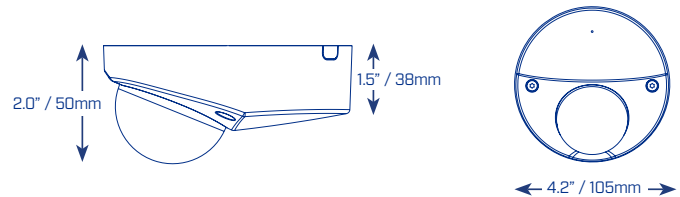
C243MT2: 8-41430-01424-9

Package Dimensions

4.5 x 5.3 x 4.4" / 162 x 155 x 125mm



Dimensions



Available Accessory Mounts

Item	Model
Junction Box	S4JF5G
Wall Mount	S1WA1G
Pole Mount	S4PA2G + S1WA1G or S1PA2G + S4JF5G
Corner Mount	S1RA2G + S4JF5G

MARKHAM, ONTARIO

FLIR Systems, Inc.
250 Royal Crest Court
Markham, ON L3R 3S1
Canada
PH: +1 866.344.4674

PORTLAND

Corporate Headquarters
FLIR Systems, Inc.
27700 SW Parkway Ave.
Wilsonville, OR 97070
USA
PH: +1 866.477.3687

www.flir.com/security
NASDAQ: FLIR

Equipment described herein may require US Government authorization for export purposes. Diversion contrary to US law is prohibited. Imagery for illustration purposes only. Specifications are subject to change without notice. ©2016 FLIR Systems, Inc. All rights reserved. (Created 11/29/16)