



C247EW2  
Motorized WDR Dome Camera

FLIR **MPX**<sup>™</sup>  
MULTI-FORMAT

**C247EW2**

*Motorized WDR Dome Camera*

The FLIR 2.1MP Motorized Varifocal WDR Dome Camera uses the latest MPX multi-format technology compatible with popular analog HD formats to deliver excellent 1080p picture quality over coax cabling. Ideal for retrofit applications, the camera is compatible with a wide range of analog HD DVRs for maximum flexibility. True WDR capability up to 100dB ensures excellent image quality around-the-clock.

#### **HIGH DEFINITION**

*High quality 1080p HD video over existing coax*

- 2.1MP HD, 1080p @ 25/30 FPS, 1/2.9" CMOS, 2.8-12mm lens, 100ft / 31m IR

#### **MULTI-FORMAT**

*Changing video output is made simple through the camera or recorder OSD*

- Compatible with popular analog HD formats
- Backwards compatible with Analog DVRs
- Dual BNC video output – MPX multi-format 1080p / 960H Analog

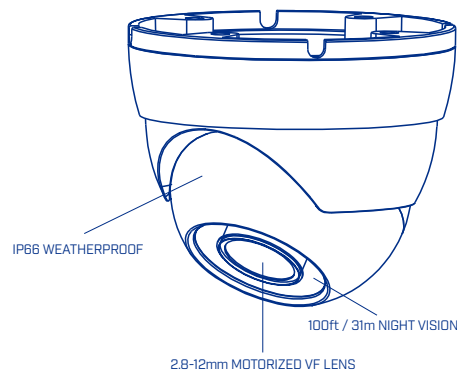
#### **WEATHERPROOF**

*Installation in any outdoor conditions*

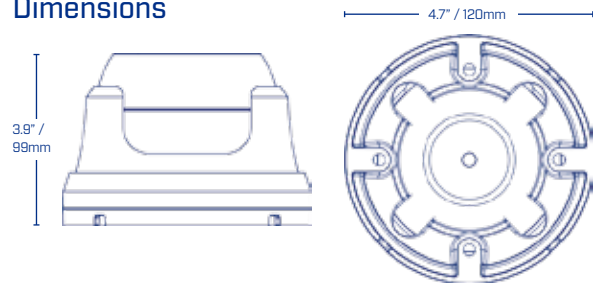
- +1000ft video cable runs supported
- IP66 weatherproof rated
- -22°F / -30°C Cold Climate Capable

# Specifications

Camera		C247EW2
Imaging Device	2.1 MP HD Sony Exmor™ 1/2.9"	
Effective Pixels	1985(H) × 1105(V)	
Image Type	CMOS	
Image Readout	Progressive Scan	
Day / Night	Auto (ICR) / Color / B/W	
Mechanical IR Cut Filter	Yes	
Min. Illumination	0.1 lux @ F1.2 (Color) 0.01 lux @ F1.2 (B/W)	
S/N Ratio	≤50dB	
Horizontal Field of View	102°~30° (H) field of view	
IR Illumination Distance	100ft (31m) IR Night Vision	
IR Wavelength	840~850nm	
IR On / Off Control	No	
Video Output	BNC (1080p Multi-format, Digital) BNC (960H, Analog)	
Electronic Shutter Range	1/30~1/60,000	
Optical		
Lens Type	Motorized Varifocal	
Mount Type	Board Type	
Iris Type	Fixed Iris	
Iris Control Type	AIS	
Focal Length	2.8-12mm lens	
Aperture	F1.4	
Optical Zoom	4.3x	
Focus	AF / Manual	
Video		
Frame rates (Maximum)	1080p @ 25/30fps	
Wide Dynamic Range	True WDR, User Adjustable	
Dynamic Range	Up to 100dB	
Backlight Compensation	BLC / HLC	
White Balance	Auto / ATW / Preset / Manual	
Gain Control	Adjustable	
Noise Reduction	3D DNR	
Smart IR	Yes, User Adjustable	
Digital Zoom	No	
Video Mirroring/Rotation	H Flip / V Flip / HV Flip	
Video Overlay	No	
Window Blanking (Privacy)	Up to 16 Areas	
Defog	On/Off	
Menu Languages	English, German, French, Spanish, Russian, Polish, Portuguese, Italian	
Mechanical		
Material	Aluminum Alloy	
Product Dimensions (Dia × H)	4.7" × 3.9" 120mm × 99mm	
Product Weight	1.4 lbs / 0.6 kg	



## Dimensions



Electrical	
Analog Video Out (service only)	Yes
Power Input	12V DC / 24V AC
Power Consumption (maximum)	7W (12V) / 11 W (24V)
Current Consumption (maximum)	530mA (12V) / 435mA (24V)
Additional Features	
Built-in Heater	N/A
Audio I/O	N/A
Alarm I/O	N/A
Environmental	
Storage Temperature	-40°F ~ +140°F / -40°C ~ +60°C
Storage Humidity	Less than 95% RH
Operating Temperature	-22°F ~ +140°F / -30°C ~ +60°C
Operating Humidity	Less than 85% RH
Cold Start Temperature	-22°F / -30°C
Ingress Protection	IP66 Rated
Vandal Resistance	No
Certifications	
Certifications	CE / FCC / RohS

## Ordering Information

Model #	UPC #	Package Dimensions	Package Weight
C247EW2	8-41430-01421-8	6.4" × 6.1" × 4.9" 163mm × 155mm × 125mm	1.6lb / 0.73kg

## Available Accessories:

C247EW2  
Wall Mount                      S3WF2G

### MARKHAM, ONTARIO

FLIR Systems, Inc.  
250 Royal Crest Court  
Markham, ON L3R 3S1  
Canada  
PH: +1 866.344.4674

[www.flir.com/security](http://www.flir.com/security)  
NASDAQ: FLIR

### PORTLAND

Corporate Headquarters  
FLIR Systems, Inc.  
27700 SW Parkway Ave.  
Wilsonville, OR 97070  
USA  
PH: +1 866.477.3687

Equipment described herein may require US Government authorization for export purposes. Diversion contrary to US law is prohibited. Imagery for illustration purposes only. Specifications are subject to change without notice. ©2017 FLIR Systems, Inc. All rights reserved. (Created 03/24/17). (16-0890-SEC).