

FLIR **MPX**<sup>™</sup>  
MULTI-FORMAT

# C346ZC252

## CNV IR PTZ Camera



C346ZC252  
CNV IR PTZ Camera

**The FLIR 2MP CNV IR PTZ Camera** delivers outstanding picture quality both day and night - even in harsh weather conditions - for optimized perimeter monitoring. Our first PTZ camera offering the flexibility of multi-format MPX for compatibility with popular analog HD systems\*. The powerful 25x optical zoom enables clear identification of objects at extended distances.

### 1080P HIGH DEFINITION IN REAL TIME

*Exceptional low light performance providing clarity and object identification at a distance*

- 2MP HD, 1080p @ 25/30 FPS, 1/2.8" CMOS, 4.8mm ~ 120mm lens
- 300ft/92m IR night vision range for visibility day or night, and Color Night Vision in low light conditions
- Ultra WDR (up to 120dB) for improved detail in challenging lighting conditions
- Compatible with popular analog HD formats\* & backwards compatible with Analog DVRs

### PTZ PERFORMANCE

*Perimeter monitoring and identification at extended distances*

- 25x optical / 16x digital zoom enables extended range identification
- Pan: 0° ~ 360° endless/ Tilt: -15° ~ 90°, 180° Autoflip
- High speed 240°/sec pan & 200°/sec tilt with up to 300 preset positions, 8 tours & 5 patterns

### BUILT TO PERFORM

*Installation in challenging outdoor conditions*

- ArcticPro technology for harsh climates (-40°F/-40°C)
- IP66 weatherproof
- Multi-format 1080p / 960H Analog with 1000ft + video cable runs supported

\* For analog HD format compatibility, please visit [flir.com/security/mpx](http://flir.com/security/mpx)

# Specifications

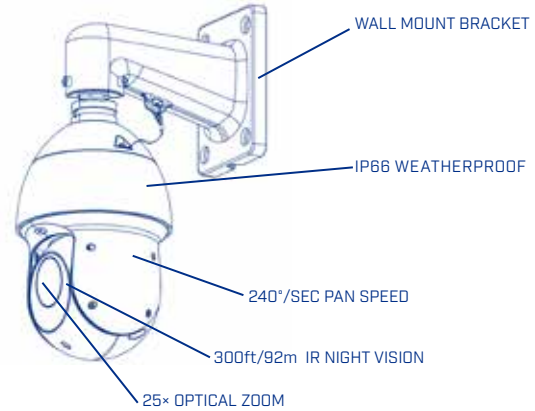
Camera		C346ZC252
Imaging Device		2 MP HD, 1/2.8"
Effective Pixels		1920 (H) x 1080 (V)
Imager Type		CMOS
Image Readout		Progressive Scan
Day / Night		Auto (ICR) / Color / B/W
Mechanical IR Cut Filter		Yes
Min. Illumination		0.05lux @ F1.6 (Color) 0.005lux @ F1.6 (B/W)
S/N Ratio		≥55dB (AGC OFF)
Field of View (H)		59.2° ~ 2.4°
IR Illumination		300ft (92m) / 850nm
IR On / Off Control		Yes
Video Output		BNC (1080p Multi-format or 960H CVBS, selectable)
Electronic Shutter Range		1/3~1/300,000/s
Optical		
Lens Type		Zoom Block
Iris Type		DC Auto Iris w/Hall-effect
Iris Control Type		Auto / Manual
Focal Length		120 ~ 4.8mm
Aperture		F1.6 ~ F4.4
Optical Zoom		25x
Focus		Auto / Manual
Pan/Tilt		
Pan / Tilt Range		Pan: 0° ~ 360° endless; Tilt: -15° ~ 90°
Auto Flip		Yes, 180°
Continuous Rotation		Yes
Manual Speed (Maximum)		Pan: 200°/sec / Tilt: 120°/sec
Preset Speed (Maximum)		Pan: 240°/sec / Tilt: 200°/sec
Presets		300
Patterns		5
Tours		8
Other PTZ Functions		Auto Scan, Auto Pan
Camera OSD		Yes
Supported Protocols		Pelco D/P (auto recognition)
Video		
Frame rates (Maximum)		1080p/720p @ 25/30fps
Aspect Ratio		16:9
Wide Dynamic Range		Ultra WDR, User Adjustable
Dynamic Range		Up to 120dB
Backlight Compensation		BLC / HLC
White Balance		Auto / ATW / Indoor / Outdoor / Manual
Gain Control		Auto / Manual
Noise Reduction		2D + 3D DNR
Image Stabilization		No
Smart IR		Yes, User Adjustable
Digital Zoom		16x
Video Mirroring/Rotation		Horizontal Flip
Video Overlay		No
Window Blanking (Privacy)		Up to 24 Areas
Menu Languages		English
Mechanical		
Material		Aluminum Alloy / Polycarbonate
Product Dimensions D x H (excl. bracket)		6.3" x 11.6" 160mm x 295mm
Product Weight (excl. bracket)		6.3lbs / 2.9kg
Electrical		
Analog Video Out		No
Power Input		12V DC
Power Consumption (Max.)		13W (IR OFF) / 24W (IR ON)
Current Consumption (Max.)		2A (±10%)
Additional Features		
Built-in Heater		No
Audio I/O		1 Input
Alarm I/O		2 Inputs / 1 Output
RS485		Yes

## Available Accessories:

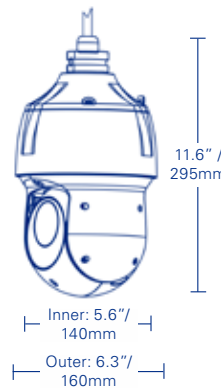
For latest accessory / mount compatibility visit  
<http://flir.com/security/cameramounts>

Notice: Connecting this camera to recorders that do not follow official CVI/TVI/AHD protocols is not recommended, and compatibility cannot be guaranteed.

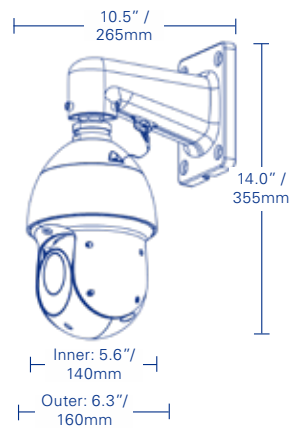
Environmental	
Storage Temperature	-40°F ~ +158°F / -40°C ~ +70°C
Storage Humidity	Less than 90% RH
Operating Temperature	-40°F ~ +158°F / -40°C ~ +70°C
Operating Humidity	Less than 90% RH
Cold Start Temperature	-40°F / -40°C
Ingress Protection	IP66 Rated
Vandal Resistance	N/A
Certifications	
Certifications	CE / FCC / RohS



## Dimensions (Camera only)



## Dimensions (Camera with bracket)



## Ordering Information

C346ZC252: 8-41430-01883-4

## Package Dimensions [WxDxH]/Weight

20.1" x 11.5" x 5.9" / 511mm x 292mm x 150mm / 9.3lbs / 4.2kg

### MARKHAM, ONTARIO

FLIR Systems, Inc.  
 250 Royal Crest Court  
 Markham, ON L3R 3S1  
 Canada  
 PH: +1 866.344.4674

### PORTLAND

Corporate Headquarters  
 FLIR Systems, Inc.  
 27700 SW Parkway Ave.  
 Wilsonville, OR 97070  
 USA  
 PH: +1 866.477.3687

[www.flir.com/security](http://www.flir.com/security)  
 NASDAQ: FLIR

Equipment described herein may require US Government authorization for export purposes. Diversion contrary to US law is prohibited. Imagery for illustration purposes only. Specifications are subject to change without notice. ©2017 FLIR Systems, Inc. All rights reserved. [Created on 01/17/2018] (18-0038-SEC).