

FLIR IP™

DN1181E63

Full HD PoE NVR System



DN1181E63
6 Cameras, 8 Channels, 1TB HDD

The FLIR DN1181E63 8 Channel HD PoE NVR System combines real time HD recording with six 3MP eyeball dome cameras. Installation is made easy with integrated PoE and camera auto-detection upon connection. With high performance video processing, the NVR supports 3MP recording with the included eyeball dome cameras on every channel.

HIGH PERFORMANCE VIDEO PROCESSING

Powerful video recording & processing speed

- 80Mbps network bit rate processing
- Supports high definition recording up to 5MP
- Pentaplex operation – simultaneous viewing, recording, playback, backup & remote monitoring

EASY INSTALLATION

Integrated PoE inputs for quick, convenient connection

- 8 integrated PoE ports with PoE+ support
- 120 Watts total PoE (up to 25W per channel)
- Auto-discovery of FLIR IP cameras with no programming

3MP CAMERAS INCLUDED

3MP HD recording for superior image detail

- **PE133E** – 3MP (2048x1536) @ 25fps, 75° (H) field of view, 75ft (23m) IR night vision range
- 3-axis design for easy wall / ceiling mounting
- IP66 weatherproof rated & cold climate capable (-22°F / -30°C)

QUICK & SECURE REMOTE VIEWING

Remote access via iOS, Android, PC & Mac with FLIR Cloud™

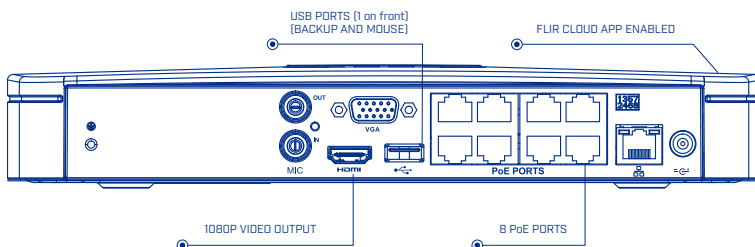
- Set up remote viewing in 3 easy steps: install FLIR Cloud™ app, scan QR code on NVR, and start viewing live video
- Multisite viewing with FLIR Cloud™ CMS for PC & Mac



FLIR Cloud™

Specifications

NVR Specifications		DN1181E63
System		
Operating System	Linux (embedded)	
Pentaplex	Simultaneous view, record, playback, backup & remote monitoring	
Number of Channels	8	
Inputs/Outputs		
Video IN	8x PoE Video Input	
Video OUT	Yes	
VGA OUT	Yes	
HDMI	Yes	
Audio IN	1 channel (RCA), supports 2-way audio	
Audio OUT	1 channel (RCA), supports 2-way audio	
USB Port	2 at the back	
Alarm IN	No	
Alarm OUT	No	
Video Output Resolution	1920x1080, 1280x1024, 1280x720, 1024x768	
PTZ Control	FLIR IP PTZ cameras only	
Display		
Live Display	1, 4, 8	
Live Display Speed	240 (NTSC) / 200 (PAL)	
OSD	ON/OFF	
System Navigation	USB mouse	
Motion Area Setting	Adjustable grid (22x18)	
Sensitivity	100	
Firmware Upgrade	Automatic over the Internet & via USB device / network	
User Authority	By user group	
Time Synchronization	Auto time sync by NTP server	
Recording		
Video Compression	H.264	
Recording Resolution	720P (1280x720), 1080P (1920x1080), 3MP (2028x1536), 5MP (2560x1920)	
Recording Frame Rate	NTSC: 8ch: 240FPS @ 720P / 1080P / 3MP / 5MP PAL: 200FPS @ 720P / 1080P / 3MP / 5MP	
Recording Resolution Setting	Per camera for different resolutions	
Recording Quality Control	6 levels	
Recording Schedule	By hour, by day, by recording mode, by motion, by channel	
Pre Recording	Max. 30 seconds	
Post Recording	Max. 5 minutes	
Reliability	Watch-Dog, auto-recovery after power failure	
Covert Video	Yes	
Playback and Backup		
Playback	1 / 4	
Playback Speed	Variable Max 16x	
Playback Players	Backup Player	
Search	By time & event	
Log Search	Up to 1,000 lines for motion detected, configuration changes, connects/disconnects and video loss	
Audio Play	Yes (audio camera required)	
Storage & Archive		
Storage	1 HDD (SATA)	
Maximum Capacity	Up to 6TB	
Backup Media	USB flash drive & HDD & network	
Backup File Format	DAV or ASF file	

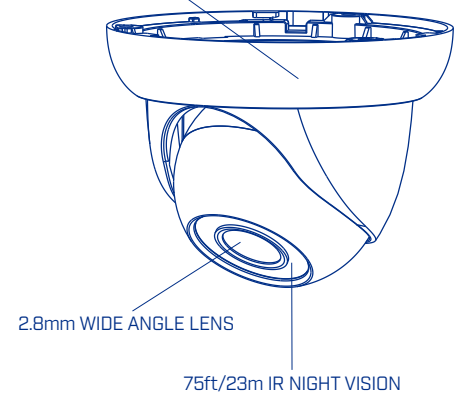


Specifications

NVR Specifications		DN1181E63
Connectivity		
Cloud Connection	FLIR Cloud™	
Supported Operating Systems	Windows™, Mac OS	
Remote Software	Client Software (PC / Mac)	
Email Notification	Text with snapshot	
Instant Smartphone & Tablet Support	iPad®, iPhone®, Android™	
DDNS	Free FLIR DDNS	
System Configuration	Full setup configuration over network	
Ports	Programmable by user	
Network Protocol	HTTP, IPv4/IPv6, TCP/IP, UPNP, RTSP, UDP, SMTP, NTP, DHCP, DNS, PPPOE, DDNS, FTP, IP Filter	
Network Interface	10/100-Base-TX, RJ-45	
Network Speed Control	80Mbps total 48 ~ 8192Kbps per camera	
IP Cameras Supported	FLIR	
NVR General Information		
Power Consumption	12 watts (without HDD)	
Supply Voltage	100VAC-240VAC, 48V DC, 2A, 50/60Hz	
Unit Dimensions (W x D x H)	10.6 x 1.8 x 8.1" / 270 x 45 x 205mm	
Unit Weight	1.5lbs / 0.7kg	
Operating Temperature	14° ~ 131° F / -10° ~ 55° C	
Humidity	10 ~ 90% NC	

Camera Specifications		PE133E
Image Sensor	1/3" 3MP	
Video Format	NTSC	
Effective Pixels	H: 2304 x V: 1536	
Image Type	CMOS	
Image Readout	Progressive Scan	
Day/Night	Auto (ICR) / Color / B/W	
Day/Night Delay Adjustment	Yes	
Mechanical IR Filter	Yes	
Min. Illumination	0.7 lux @ F2.2 (Color) 0.4 lux @ F2.2 (B/W)	
S/N Ratio	≥56dB (AGC OFF)	
Horizontal Field of View	75°	
IR Illumination Range	75ft / 23m	
IR Wavelength	850nm	
IR ON/OFF Control	Yes	
Video Output	IP	
Electronic Shutter Range	1/3 (1/4) ~ 1/100,000 seconds	
Optical		
Lens Type	Fixed Lens	
Lens Mount	Board Type	
Iris Type	Fixed Iris	
Focal Length	2.8mm	
F-Number	F2.0	
Focus	Fixed	

IP66 WEATHERPROOF



Specifications

Camera Specifications Cont.		PE133E
Video		
Video Compression	H.264 / MJPEG	
Video Streams	H.264 / MJPEG Dual Stream	
Resolution Selection	3MP (2048x1536) / 1080p (1920x1080) / 720p (1280x720) / D1 (704x576/704x480) / CIF (352x288/352x240)	
Aspect Ratio	4:3	
Frame Rates (MAX)	3MP @ 25fps / 1080p/720p @ 25/30fps	
Bit Rate Control	CBR / VBR	
Bit Rate Selection	H.264: 16K ~ 8Mbps	
Quality Setting Range (Default)	1-6 (6)	
Region of Interest	No	
Dynamic Range	Up to 55dB	
Wide Dynamic Range	D-WDR	
Backlight Compensation	BLC / HLC	
White Balance	Auto / Manual	
Gain Control	Auto / Manual	
Noise Reduction	3D-DNR	
Smart IR	Yes, User Adjustable	
Image Stabilization	No	
Digital Zoom	10x	
Tamper Protection	Yes	
Adaptive Lens Correction (ALC)	No	
Video Mirroring / Rotation	Horizontal Mirror / Vertical Flip	
Video Overlay	Time / Date / Camera / Custom	
Window Blanking (Privacy)	Up to 4 Areas	
Menu Languages	English	
Network		
Protocols	IPv4/IPv6, HTTP, TCP/IP, ARP, UDP, UPnP, RTSP, RTP, SMTP, NTP, DHCP, DNS, DDNS, FTP, QoS	
ONVIF Conformance	Profile S	
RTSP Video	Standard RFC2326, Support QuickTime / VLC Player	
Unicast Users	Up to 10	
Multicast Users	Up to 30	
Mechanical		
Construction	Aluminum Alloy	
Product Dimensions (D x H)	3.8 x 2.8" / 95 x 51mm	
Product Weight	0.85lbs / 0.42kg	
Electrical		
Network Port	RJ45, 10/100 Base-T	
Power Input	12V DC	
Power over Ethernet (PoE) Type	PoE (802.3af)	
Power Consumption	2.8W MAX	
Current Consumption	230mA MAX	
Edge Storage	No	
Built-in Heater	No	
Alarm I/O	No	
Environmental		
Storage Temperature	-40° ~ 140°F / -40° ~ 60°C	
Storage Humidity	>95% RH	
Operating Temperature	-22° ~ 140°F / -30° ~ 60°C	
Operating Humidity	>95% RH	
Cold Start Temperature	-22°F / -30°C	
Ingress Protection	IP66	
Certification		
Certifications	CE / FCC	

Ordering Information

DN1181E63: 8-41430-01811-7

Package Dimensions

17.2 x 9.5 x 10.4" / 436 x 241 x 263mm

MARKHAM, ONTARIO

FLIR Systems, Inc.
250 Royal Crest Court
Markham, ON L3R 3S1
Canada
PH: +1 866.344.4674

PORTLAND

Corporate Headquarters
FLIR Systems, Inc.
27700 SW Parkway Ave.
Wilsonville, OR 97070
USA
PH: +1 866.477.3687

www.flir.com/security
NASDAQ: FLIR

Equipment described herein may require US Government authorization for export purposes. Diversion contrary to US law is prohibited. Imagery for illustration purposes only. Specifications are subject to change without notice. ©2016 FLIR Systems, Inc. All rights reserved.
(Created 06/06/2017) - (17-1797-SEC)