

# FLIR IP™

## DN2181E63

### Full HD PoE+ NVR System



DN2181E63  
6 x 3MP Cameras,  
8 Channels, 1TB HDD

**The FLIR 4K HD PoE+ NVR System** combines powerful Ultra HD recording with 6 x 3MP Eyeball Dome Cameras to produce a complete security solution. Installation is made simple with integrated PoE and auto-detection of the cameras upon connection.

### HIGH PERFORMANCE VIDEO PROCESSING

*Flexible video recording up to 4K resolution*

- Supports 4K recording with cameras up to 8MP (4K)
- Pentaplex operation – simultaneous viewing, recording, playback, backup & remote monitoring

### EASY INSTALLATION

*Integrated PoE inputs for quick, convenient connection*

- 8 integrated PoE+ ports
- 120 Watts total PoE (max 25W per channel)
- Auto-discovery of FLIR IP cameras with no programming

### 3MP CAMERAS INCLUDED

*HD recording for excellent image detail and clarity*

- 6 x PE133E – 3MP (2048 x 1536) @25fps
- 75° (H) field of view, 75ft (23m) IR night vision range
- IP66 weatherproof rated & cold climate capable (-22°F / -30°C)

### QUICK & SECURE REMOTE VIEWING

*Remote access via iOS, Android, PC & Mac with FLIR Cloud™*

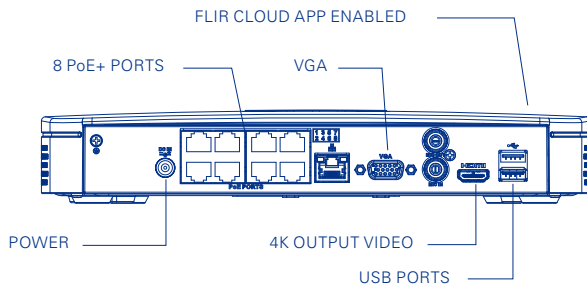
- Set up remote viewing in 3 easy steps: install FLIR Cloud™ app, scan QR code on NVR, and start viewing live video
- Multisite viewing with FLIR Cloud™ CMS for PC & Mac



# Specifications

NVR Specifications		DNR2181
<b>System</b>		
Operating System	Linux (embedded)	
Pentaplex	View, record, playback, backup & remote monitoring	
Number of Channels	8 Channels	
<b>Inputs/Outputs</b>		
Video IN	8 PoE Video Inputs	
BNC OUT	No	
VGA OUT	Yes	
HDMI	Yes	
Audio IN	1 Line IN (RCA) for service only	
Audio OUT	1 Line OUT (RCA) for service only	
USB Port	2 back panel	
Alarm IN	N/A	
Alarm OUT	N/A	
Video Output Resolution	4K (3840x2160), 4MP, 1080p (1920x1080), 1280x1024, 1280x720, 1024x768	
PTZ Control	FLIR IP PTZ cameras only	
<b>Display</b>		
Live Display	1, 4, 8	
Live Display Speed	240fps NTSC, 200fps PAL	
OSD	ON/OFF	
System Navigation	USB mouse, IR remote controller, front panel buttons	
Motion Area Setting	Fixed grid (22x18)	
Sensitivity Levels	100	
Firmware Upgrade	Automatic over the Internet & via USB device and network	
User Authority	By user group	
Time Synchronization	Auto time sync by NTP server	
<b>Recording</b>		
Video Compression	H.264 / H.265	
Audio Compression	G.711	
Recording Resolution	720p (1280x720), 1080p (1920x1080) ~ 4K-8MP (3840x2160)	
Record Rate	240fps@720p/1080p/3MP/4MP/8MP(4K)	
Recording Quality Control	6 levels	
Recording Schedule	By hour, by day, by recording mode, by motion, by alarm, by channel	
Pre Recording	Max. 4 Seconds	
Post Recording	Max. 5 Minutes	
Reliability	Watch-Dog, auto-recovery after power failure	
Covert Video	Yes	
<b>Playback</b>		
Playback Channel	1/4/8	
Playback Speed	Variable Max 16x	
Playback Players	Backup Player	
Search	By time & event	
Log Search	Up to 1,000 lines for motion detected, configuration changes, connects/disconnects and video loss	
Audio Play	Yes (audio camera required)	
<b>Storage &amp; Archive</b>		
Storage	1 HDD (SATA)	
Maximum Capacity	Up to 1x8TB SATA (max)	
Backup Media	USB flash drive & HDD	
Backup File Format	DAV or ASF file	

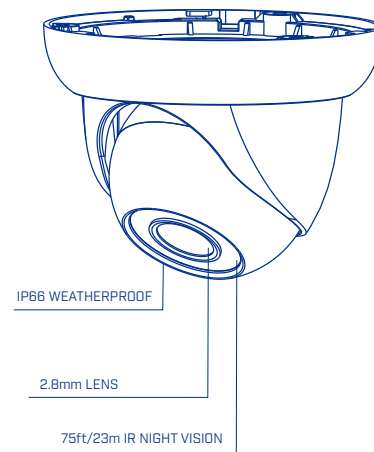
NVR Specifications		DNR2181
<b>Connectivity</b>		
Cloud Connection	FLIR Cloud™	
Supported Operating Systems	Windows™, Mac OSX	
Remote Software	Client Software (PC/Mac)	
Email Notification	Text with snapshot	
Instant Smart Phone & Tablet Support	Android™, iPad®, iPhone®	
DDNS	Free FLIR DDNS	
System Configuration	Full setup configuration over network	
Ports	Programmable by User	
Network Protocol	HTTP, IPv4/IPv6, TCP/IP, UPNP, RTSP, UDP, SMTP, NTP, DHCP, DNS, PPPOE, DDNS, FTP, IP Filter	
Network Interface	10/100-Base-TX, RJ-45	
<b>NVR General Information</b>		
Power Consumption	12 watts (No HDD Installed)	
Supply Voltage	100VAC-240VAC, 48V DC, 2A, 50/60Hz	
Total PoE Power Output (across all channels)	120W (Max 25W per Camera)	
Unit Weight	1.5lbs / 0.7kg (without HDD)	
Dimensions (W x H x D)	10.6 x 1.8 x 8.1" / 270 x 45 x 205mm	
Operating Temperature	14° ~ 131° F / -10° ~ 55° C	
Humidity	10 ~ 90% RH	



## Specifications

Camera		PE133E
Image Sensor		3MP, 1/3"
Effective Pixels		H: 2304 x V: 1536
Image Type		CMOS
Image Readout		Progressive Scan
Day/Night		Auto (ICR) / Color / B/W
Day/Night Delay Adjustment		Yes
Mechanical IR Filter		Yes
Min. Illumination		0.7 lux @ F2.2 (Color), 0.4 lux @ F2.2 (B/W)
S/N Ratio		≥56dB (AGC OFF)
Horizontal Field of View		75°
IR Illumination		75ft / 23m, 850nm
IR ON/OFF Control		Yes
Video Output		RJ45
Electronic Shutter Range		1/3 (1/4) ~ 1/100,000 seconds
Optical		
Lens Type		Fixed Lens
Lens Mount		Board Type
Iris Type		Fixed Iris
Focal Length		2.8mm
F-Number		F2.0
Focus		Fixed
Video		
Video Compression		H.264 / MJPEG
Video Streams		H.264 / MJPEG Dual Stream
Resolution Selection		3MP (2048x1536) / 1080p (1920x1080) / 720p (1280x720) / D1 (704x576/704x480) / CIF (352x288/352x240)
Aspect Ratio		4:3
Frame Rates (MAX)		3MP @ 25fps / 1080p/720p @ 25/30fps
Bit Rate Control		CBR / VBR
Bit Rate Selection		H.264: 16K ~ 8Mbps
Quality Setting Range (Default)		1-6 (6)
Region of Interest		No
Dynamic Range		Up to 55dB
Wide Dynamic Range		D-WDR
Backlight Compensation		BLC / HLC
White Balance		Auto / Manual
Gain Control		Auto / Manual
Noise Reduction		3D-DNR
Smart IR		Yes, User Adjustable
Image Stabilization		No
Digital Zoom		10x
Tamper Protection		Yes
Adaptive Lens Correction (ALC)		No
Video Mirroring / Rotation		Horizontal Mirror / Vertical Flip
Video Overlay		Time / Date / Camera / Custom
Window Blanking (Privacy)		Up to 4 Areas
Menu Languages		English
Network		
Protocols		IPv4/IPv6, HTTP, TCP/IP, ARP, UDP, UPnP, RTSP, RTP, SMTP, NTP, DHCP, DNS, DDNS, FTP, CoS
ONVIF Conformance		Profile S
RTSP Video		Standard RFC2326, Support QuickTime / VLC Player
Unicast Users		Up to 10
Multicast Users		Up to 30
Mechanical		
Construction		Aluminum Alloy
Product Dimensions (Dia x H)		3.8" D x 2.8" H 95mm D x 51mm H
Product Weight		0.65lbs / 0.30kg
Electrical		
Network Port		RJ45, 10/100 Base-T
Power Input		12V DC
Power over Ethernet (PoE) Type		PoE (802.3af)
Power Consumption (max.)		2.8W
Current Consumption (max.)		230mA

Additional Features	
Edge Storage	No
Built-in Heater	No
Alarm I/O	No
Environmental	
Storage Temperature	-40° ~ 140°F / -40° ~ 60°C
Storage Humidity	<95% RH
Operating Temperature	-22° ~ 140°F / -30° ~ 60°C
Operating Humidity	<95% RH
Cold Start Temperature	-22°F / -30°C
Ingress Protection	IP66
Certifications	
Certifications	CE / FCC



### Ordering Information

DN2181E63: 8-41430-01890-2

### Package Dimensions

17.2 x 8.5 x 11.4" / 436 x 222 x 290mm

### MARKHAM, ONTARIO

FLIR Systems, Inc.  
250 Royal Crest Court  
Markham, ON L3R 3S1  
Canada  
PH: +1 866.344.4674

### PORTLAND

Corporate Headquarters  
FLIR Systems, Inc.  
27700 SW Parkway Ave.  
Wilsonville, OR 97070  
USA  
PH: +1 866.477.3687

[www.flir.com/security](http://www.flir.com/security)  
NASDAQ: FLIR

Equipment described herein may require US Government authorization for export purposes. Diversion contrary to US law is prohibited. Imagery for illustration purposes only. Specifications are subject to change without notice. ©2017 FLIR Systems, Inc. All rights reserved.  
(Created 09/25/2017) - (17-2847-SEC)