



M3104E2C4 / M3104E2C4P
4 cameras, 4 channels, 2TB HDD



M3108E3C8 / M3108E3C8P
8 cameras, 8 channels, 3TB HDD



FLIR MPX™

Megapixel Over Coax Security Systems

The FLIR MPX M3100E Series Bundles use the latest HD-CVI technology, giving you the flexibility to upgrade security systems to HD resolution using an existing coax cable. Ideal for retrofit, upgrading to HD is now easier than ever. The included dome cameras boast full 1080p HD resolution with IR night vision. Plus, download the FLIR Cloud app and take advantage of remote access anywhere you go via iOS, Android, PC or Mac devices.

HIGH DEFINITION QUALITY

Experience outstanding Megapixel resolution

- 1/2.7" 2.1MP IR dome cameras included, 3.6mm lens
- 720p (1280x720) resolution @ real-time (25/30fps per channel), 1080p (1920x1080) @ 15fps
- IR night vision range up to 70ft (21m)

EASY INSTALLATION

Ideal for retrofit – upgrade to HD over existing coax

- Standard BNC connection – no networking complexities
- Upgrade analog systems to HD without the expense of re-cabling
- All-in-one DVR & Camera bundle includes the full system plus HDD

SUPERIOR PERFORMANCE

Zero latency and extended cable runs

- Smooth real-time viewing with zero video latency
- Extended cable runs of up to 2300ft (700m)
- Two-way communication over coax allows for easy connection and control of PTZ cameras (PTZ cameras sold separately)

FLIR CLOUD – QUICK & SECURE REMOTE VIEWING

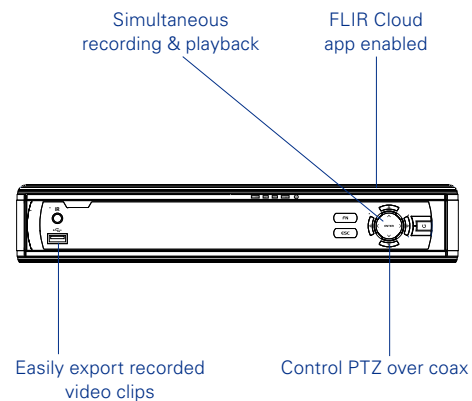
Remote access via iOS, Android, PC / Mac with FLIR Cloud

- Set up remote viewing in three easy steps: install FLIR Cloud app, scan QR code on DVR, view live video
- Multisite viewing on FLIR Cloud CMS for PC / Mac

Specifications

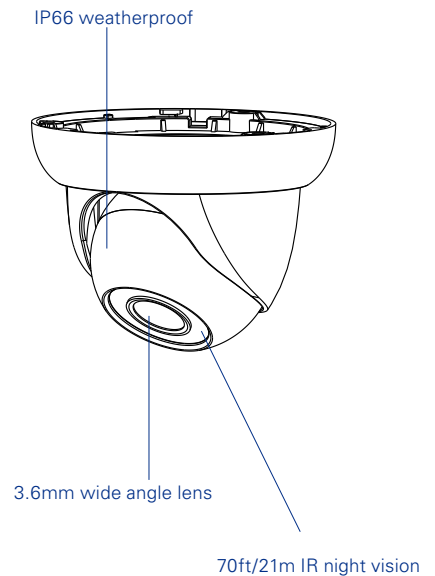
DVR Specifications System	M3104E2C4/P	M3108E3C8/P
Operating System	Linux (embedded)	
Pentaplex	Simultaneous view, record, playback, backup & remote monitoring	
Number of Channels	MPX Cameras Required	
Inputs/Outputs		
Video IN	4/8/16 x 1Vp-p, BNC	
Video OUT	Yes, 1 VGA & 1 HDMI	
VGA OUT	Yes	
HDMI	Yes	
Audio IN	Audio IN 1 channel (RCA), supports 2-way talk	
Audio OUT	Audio OUT 1 channel (RCA), supports 2-way talk	
USB Port	1 at the back, 1 at the front	
Alarm IN	None	
Alarm OUT	None	
Video Output Resolution	1920x1080 (HDMI), 1280x1024, 1024x768	
PTZ Control	RS-485 Pelco D & P Protocol	
Display		
Live Display	1, 4	1, 4, 8
Live Display Speed	120 NTSC, 100 PAL	240 NTSC, 200 PAL
OSD	ON/OFF	
System Navigation	USB mouse, IR remote controller, front panel	
Motion Area Setting	Fixed grid 396 (22x18) NTSC&PAL	
Sensitivity	100	
Firmware Upgrade	Via USB device / Network	
User Authority	By user group	
Time Synchronization	Auto time sync by NTP server	
Recording		
Video Compression	H.264	
Audio Compression	G.711	
Recording Resolution*	NTSC: 1080p (1920x1080), 720p (1280x720), 960x480, 704x480, 352x480, 704x240, 352x240, 176x120 PAL: 1080p (1920x1080), 720p (1280x720), 960x576, 704x576, 352x288, 176x144	
Recording Resolution Setting	Per camera for different resolutions	
Recording Quality Control	5 levels	
Recording Schedule	By hour, by day, by recording mode, by motion, by alarm, by channel	
Pre Recording	Max. 30 Seconds	
Post Recording	Max. 5 min / Min. 10 Sec	
Reliability	Watch-Dog, auto-recovery after power failure	
Covert Video	Yes	
Playback		
Playback	1 / 4	1 / 4 / 8
Playback Speed	Variable max 4x	
Playback Players	Backup Player	
Search	By Time/Date, MD & Exact search (accurate to second)	
Log Search	Up to 1,000 lines for motion detected, configuration changes, connects/disconnects and video loss	
Audio Play	Yes	
Storage & Archive		
Storage	1 HDD (SATA)	
Maximum Capacity	Up to 4TB	
Backup Media	USB flash drive & HDD & Network	
Backup File Format	DAV or ASF file	

* 1080p MPX cameras are required to take advantage of 1080p recording. You may need to upgrade the DVR firmware to enable 1080p recording.



Specifications

DVR Specifications Cont.	M3104E2C4/P	M3108E3C8/P
Connectivity		
Cloud Connection	FLIR Cloud™	
Supported Operating Systems	Windows™, Mac OS X	
Remote Software	Client Software (PC) & Safari (Mac)	
Email Notification	Text with snapshot	
Instant Smart Phone & Tablet Support	FLIR Cloud™ iPad®, iPhone®, Android™ apps	
DDNS Free	Free FLIR DDNS	
System Configuration	Full setup configuration over network	
Ports	Programmable by User	
Network Protocol	HTTP, IPv4/IPv6, TCP/IP, UPNP, RTSP, UDP, SMTP, NTP, DHCP, DNS, PPPOE, DDNS, FTP, IP Filter	
Network Interface	10/100-Base-TX, RJ-45	
Network Speed Control	96Kb ~ 4096kb/sec. per camera	
DVR General Information		
Power Consumption	Approx. 10 watts (No HDD Installed)	
Supply Voltage	100VAC-240VAC, 12VDC, 2A, 50/60Hz	
Unit Dimensions (W x D x H)	12.8 x 10 x 2.2" / 325 x 255 x 55mm	
Unit Weight	3.3 lb / 1.5 kg (without HDD)	
Operating Temperature	14° ~ 131° F / -10° ~ 55° C	
Humidity	10 ~ 90% RH	
Camera Specifications		
Image Sensor	1/2.7" 1080p, 2MP CMOS	
Video Format	NTSC / PAL	
Effective Pixels	H: 1920 V: 1080	
Resolution	Digital: 1080p, Analog: 960H	
Scan System	Progressive	
Sync System	Internal	
S / N Ratio	50dB (AGC Off)	
Iris	AES	
AES Shutter Speed	1/60 ~ 1/100,000 sec.	
Min. Illumination	0.01 LUX (IR Off) 0 LUX (IR LEDs On)	
Video Output	Composite 1.0Vpp @ 75ohm	
Lens Focal Length / Type	3.6mm F1.2 / Fixed	
FOV (Diagonal)	90°	
Termination	BNC Type	
IR Range / Qty.	70ft / 21m; 12 IR LEDs	
Power Requirement	12V DC ± 10%	
Power Consumption	200mA MAX with IR LED	
Operating Temp. Range	-22° ~ 140°F / -30° ~ 60°C	
Environmental Rating	IP66	
Dimensions	Diameter: 3.7" (94mm) Height: 3.1" (79mm)	
Weight (including stand)	0.7lbs / 0.3kg	



Ordering Information

NTSC Models

M3104E2C4: 8-41430-01226-9
4 cameras
4 channels
2TB HDD

M3108E3C8: 8-41430-01337-2
8 cameras
8 channels
3TB HDD

PAL Models

M3104E2C4P: 8-41430-01339-6
4 cameras
4 channels
2TB HDD

M3108E3C8P: 8-41430-01340-2
8 cameras
8 channels
3TB HDD

Package Dimensions

M3104E2C4/P: 15.3 x 10 x 12.5" /
389 x 254 x 318mm
M3108E3C8/P: 14.7 x 15.3 x 12.6" /
446 x 389 x 320mm

MARKHAM, ONTARIO

FLIR Systems, Inc.
250 Royal Crest Court
Markham, ON L3R 3S1
Canada
PH: +1 866.344.4674

PORTLAND

Corporate Headquarters
FLIR Systems, Inc.
27700 SW Parkway Ave.
Wilsonville, OR 97070
USA
PH: +1 866.477.3687

www.flir.com/security
NASDAQ: FLIR

Equipment described herein may require US Government authorization for export purposes. Diversion contrary to US law is prohibited. Imagery for illustration purposes only. Specifications are subject to change without notice. ©2015 FLIR Systems, Inc. All rights reserved. [Created 01/08/16]