

FLIR **MPX**[™]
MULTI-FORMAT

M5108364

QUAD HD Security System



M5108364

6 x 4MP Cameras, 8 Channels, 3TB HDD

The FLIR MPX 8-Channel Quad HD Security System is the ideal solution to upgrade to 4MP HD resolution using existing coax cabling. Ideal for retrofit, MPX makes upgrading to HD easier than ever – connect the included eyeball dome cameras to existing coax for a hassle-free upgrade. Our free FLIR Cloud™ apps provide easy remote access anywhere you go via iOS, Android, PC or Mac. The latest MPX multi-format technology also provides a path for future upgrades and maximum flexibility*.

HIGH DEFINITION QUALITY & MULTI-FORMAT

Experience outstanding HD resolution over existing coax.

- MPX multi-format compatibility with popular analog HD formats*
- Offers reliable identification with selectable area digital zoom

EASY INSTALLATION

Upgrade systems to HD quality without networking complexities or the expense of re-cabling.

- BNC video recorder input – MPX multi-format 4MP/3MP/2MP/1MP/960H Analog
- Zero latency, even with cable lengths up to 1000ft (330m)

4MP QUAD HD CAMERAS INCLUDED

Experience outstanding Quad HD resolution over coax.

- 6x 4MP (2688x1520) @ 30fps live / 15fps record
- 85° (H) field of view, 80ft (24m) IR Night Vision / TDN
- IP66 weatherproof rated & cold climate capable (-22°F / -30°C)

QUICK & SECURE REMOTE VIEWING

Remote access via iOS, Android, PC & Mac with FLIR Cloud™

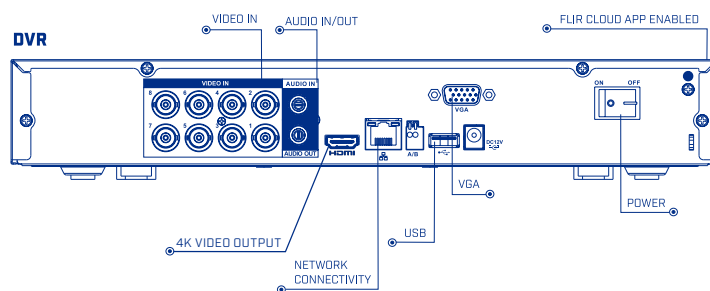
- Set up remote viewing in 3 easy steps: install FLIR Cloud™ app, scan QR code on NVR, and start viewing live video
- Multisite viewing with FLIR Cloud™ CMS for PC & Mac

* For analog HD format compatibility, please visit flir.com/security/MPX



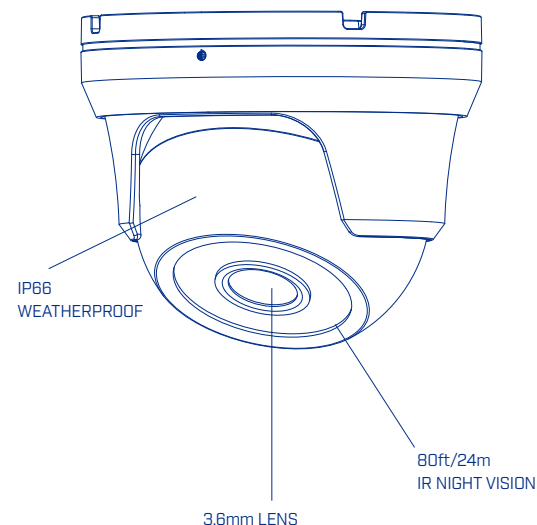
Specifications

DVR Specifications		M51083
System		
Operating System	Linux (embedded)	
Pentaplex	Simultaneous view, record, playback, backup & remote monitoring	
Number of Channels	8 Channels — MPX Cameras Required	
Inputs/Outputs		
Video IN	8 x 1Vp-p, BNC	
Video OUT	Yes, 1 VGA & 1 HDMI	
VGA OUT	Yes	
HDMI OUT	Yes	
Audio IN	Audio IN 1 channel (RCA), supports 2-way talk	
Audio OUT	Audio OUT 1 channel (RCA), supports 2-way talk	
USB Port	1 at the back, 1 at the front	
Alarm IN	None	
Alarm OUT	None	
Video Output Resolution	8 ch-4K	
PTZ Control	BNC-CVI + RS-485 Pelco D & P Protocol	
Display		
Live Display	8 ch: 1, 4, 8	
Live Display Speed	8 ch: 240 NTSC, 200 PAL	
OSD	ON/OFF	
System Navigation	USB mouse, IR remote controller, front panel	
Motion Area Setting	Fixed grid 396 (22x18) NTSC&PAL	
Sensitivity	100	
Firmware Upgrade	Via USB device / Network	
User Authority	By user group	
Time Synchronization	Auto time sync by NTP server	
Recording		
Video Compression	H.264+	
Audio Compression	G.711	
Recording Resolution*	NTSC: 4MP(2688x1520), 3MP(2304x1296), 1080p (1920x1080), 720p (1280x720), 960x480, 704x480, 352x480, 704x240, 352x240, 176x120 PAL: 4MP(2688x1520), 3MP(2304x1296), 1080p (1920x1080), 720p (1280x720), 960x576, 704x576, 352x288, 176x144	
Recording Frame Rate	NTSC 8 ch: 120fps @ 4MP, 240fps @ 3MP, 1080p/720p/960H PAL 8 ch: 100fps @ 4MP, 200fps @ 3MP, 1080p/720p/960H	
Recording Resolution Setting	Per camera for different resolutions	
Recording Quality Control	6 Levels	
Recording Schedule	By hour, by day, by recording mode, by motion, by alarm, by channel	
Pre Recording	Max. 30 Seconds	
Post Recording	Max. 5 min / Min. 10 Sec	
Reliability	Watch-Dog, auto-recovery after power failure	
Covert Video	Yes	
Playback		
Playback Channel	8 ch: 1 / 4 / 8	
Playback Speed	Variable max 4x	
Playback Players	Backup Player	
Search	By Time/Date, MD & Exact search (accurate to second)	
Log Search	Up to 1,000 lines for motion detected, configuration changes, connects/disconnects and video loss	
Audio Play	Yes	
Storage & Archive		
Storage	1 HDD (SATA)	
Maximum Capacity	Up to 8TB	
Backup Media	USB flash drive & HDD & Network	
Backup File Format	DAV or ASF file	
Connectivity		
Cloud Connection	FLIR Cloud™	
Supported Operating Systems	Windows™, Mac OSX	
Remote Software	Client Software (PC) & Safari (Mac)	
Email Notification	Text with snapshot	
Instant Smart Phone & Tablet Support	FLIR Cloud™ iPad®, iPhone®, Android™ apps	
System Configuration	Full setup configuration over network	
Ports	Programmable by User	
Network Protocol	HTTP, IPv4/IPv6, TCP/IP, UPNP, RTSP, UDP, SMTP, NTP, DHCP, DNS, PPPOE, DDNS, FTP, IP Filter	
Network Interface	10/100-Base-TX, RJ-45	
Network Speed Control	96Kb ~ 4096kb/sec. per camera	
DVR General Information		
Power Consumption	Approx. 10 watts (No HDD Installed)	
Supply Voltage	8 ch: 100VAC-240VAC, 12VDC, 2A, 50/60Hz	
Unit Dimensions (W x D x H)	12.8 x 10 x 2.2" / 325 x 255 x 55mm	
Unit Weight	3.3 lb / 1.5 kg (without HDD)	
Operating Temperature	14° ~ 131° F / -10° ~ 55° C	
Humidity	10 ~ 90% RH	



Specifications

Camera	ME363
Imaging Device	QUAD HD 4MP, 1/3"
Effective Pixels	2688(H) x 1520(V)
Imager Type	CMOS
Image Readout	Progressive Scan
Day / Night	Auto (ICR) / Color / B/W
Mechanical IR Cut Filter	Yes
Min. Illumination	0.2 lux @ F1.2 (Color) 0.05 lux @ F1.2 (B/W)
S/N Ratio	≤50dB
Horizontal Field of View	85° (H) field of view
IR Illumination Distance	80ft (24m) IR Night Vision
IR Wavelength	840~850nm
IR On / Off Control	N
Video Output	BNC (4MP Multi-format*)
Electronic Shutter Range	1/60~1/50,000
Optical	
Lens Type	Fixed
Mount Type	Board Type
Iris Type	Fixed Iris
Iris Control Type	AIS
Focal Length	3.6mm
Aperture	F2.0
Optical Zoom	N/A
Focus	Fixed
Video	
Frame rates (Maximum)	4MP@30fps
Wide Dynamic Range	DWDR
Dynamic Range	N/A
Backlight Compensation	BLC
White Balance	ATW / Manual
Gain Control	Color Gain, Adjustable
Noise Reduction	2D DNR
Smart IR	Yes
Digital Zoom	No
Video Mirroring/Rotation	H Flip / V Flip / HV Flip
Video Overlay	No
Window Blanking (Privacy)	No
Defog	No
Menu Languages	English
Mechanical	
Material	Aluminum Alloy
Product Dimensions (Dia x H)	3.7 x 2.5" / 93 x 64mm
Product Weight	0.9lbs / 0.4kg
Electrical	
Analog Video Out (service only)	No
Power Input	12V DC
Power Consumption (maximum)	4.7W
Current Consumption (maximum)	390mA
Additional Features	
Built-in Heater	N/A
Audio I/O	N/A
Alarm I/O	N/A
Environmental	
Storage Temperature	-40°F ~ +140°F / -40°C ~ +60°C
Storage Humidity	Less than 95% RH
Operating Temperature	-22°F ~ +140°F / -30°C ~ +60°C
Operating Humidity	Less than 85% RH
Cold Start Temperature	-22°F / -30°C
Ingress Protection	IP66 Rated
Vandal Resistance	No
Certifications	
Certifications	CE / FCC / RoHS



Ordering Information

M5108364: 8-41430-01870-4

Package Dimensions

14.1 x 9.0 x 12"
378 x 237 x 314mm

MARKHAM, ONTARIO

FLIR Systems, Inc.
250 Royal Crest Court
Markham, ON L3R 3S1
Canada
PH: +1 866.344.4674

PORTLAND

Corporate Headquarters
FLIR Systems, Inc.
27700 SW Parkway Ave.
Wilsonville, OR 97070
USA
PH: +1 866.477.3687

www.flir.com/security
NASDAQ: FLIR

Equipment described herein may require US Government authorization for export purposes. Diversion contrary to US law is prohibited. Imagery for illustration purposes only. Specifications are subject to change without notice. ©2017 FLIR Systems, Inc. All rights reserved.
(Created 10/19/2017) - (17-3045-SEC)

* Camera is restricted to 4MP resolution and is compatible only with 4MP/5MP/4K HD-CVI/HD-TVI/AHD enabled recorders. Channel resolution must be set to 4MP resolution. For information on compatibility with various analog HD formats, visit flir.com/security/MPX