

FLIR **MPX**[™]
MULTI-FORMAT

M832K44

4K HD Security System



M832K44

2× 4K Cameras, 4× 4MP Cameras,
8 Channels, 3TB HDD

The **FLIR Multi-format MPX 8CH 4K HD Security System** is the ideal solution to upgrade to 4K Ultra HD resolution using coax cabling**. With support for up to 4K HD resolution MPX cameras and standard analog cameras, the DVR is ideal for retrofit applications. Multi-format MPX also facilitates advanced features previously unavailable over a coax cable including duplex transmission for PTZ control, audio transmission, and extended distance cable runs up to 1000ft (4MP), 500ft (4K). Our free FLIR Cloud™ apps provide easy remote access anywhere you go via iOS, Android, PC or Mac.

ULTRA HIGH DEFINITION QUALITY

Experience exceptional Ultra HD resolution over coax with up to 4K resolution. Offers reliable identification with selectable area digital zoom.

- MPX multi-format compatibility with popular analog HD formats*
- Supports up to 4 IP cameras, max. 4MP each
- H.264+ Compression

EASY INSTALLATION

Upgrade systems to HD quality without networking complexities, and with the option of maintaining previously installed analog cameras.

- Standard BNC connection – ideal upgrade on existing coax cable**
- DVR supports both HD and SD analog simultaneously

4K & 4MP CAMERAS INCLUDED

HD recording for excellent image detail and clarity.

- 2x ME373A - 4K Ultra HD (3840 x 2160)@15fps, 87°(H) FOV, 1/2" CMOS, 3.6mm, 100ft/31m IR, IP67, Audio
- 4x ME363 - 4MP Quad HD (2688 x 1520)@30fps, 85°(H) FOV, 1/3" CMOS, 3.6mm, 82ft/25m IR, IP66
- Cold climate capable (-22°F / -30°C)

QUICK & SECURE REMOTE VIEWING

Remote access via iOS, Android, PC & Mac with FLIR Cloud™

- Set up remote viewing in 3 easy steps: install FLIR Cloud™ app, scan QR code on NVR, and start viewing live video
- Multisite viewing with FLIR Cloud™ CMS for PC & Mac



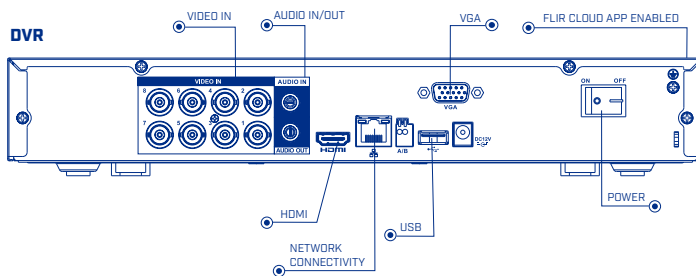
* For analog HD format compatibility, please visit flirsecurity.com/MPX

** 4K requires RG59 or higher grade cable, 20 AWG CU Conductor, 95% braid.

Specifications

DVR Specifications System		M61083
Operating System	Linux (embedded)	
Pentaplex	Simultaneous view, record, playback, backup & remote monitoring	
Number of Channels	8 Channels — MPX Cameras Required	
Inputs/Outputs		
Video IN	8 x 1Vp-p, BNC	
Video OUT	Yes, 1 VGA & 1 HDMI	
VGA OUT	1080p output resolution	
HDMI OUT	up to 4K output resolution	
Audio IN	Audio IN 1 channel (RCA), supports 2-way talk	
Audio OUT	Audio OUT 1 channel (RCA), supports 2-way talk	
USB Port	1 at the back, 1 at the front	
Alarm IN	None	
Alarm OUT	None	
Video Output Resolution	4K	
PTZ Control	BNC-CVI + RS-485 Pelco D & P Protocol	
Display		
Live Display	1, 4, 8, 9, 16	
Live Display Speed	up to 480fps NTSC, 400 PAL	
OSD	ON/OFF	
System Navigation	USB mouse, IR remote controller, front panel	
Motion Area Setting	Fixed grid 396 (22x18) NTSC&PAL	
Sensitivity	100	
Firmware Upgrade	Via USB device / Network	
User Authority	By user group	
Time Synchronization	Auto time sync by NTP server	
Recording		
Video Compression	H.264+	
Audio Compression	G.711	
Recording Resolution*	NTSC : HD (4K) 8MP ~ 1MP, SD 960H ~ 352x240 PAL : HD (4K) 8MP ~ 1MP, 960H ~ 352x288	
Recording Frame Rate	NTSC/PAL 8MP@112fps/4MP@240fps/3-2-1MP@480fps	
Recording Resolution Setting	Per camera for different resolutions	
Recording Quality Control	6 Levels	
Recording Schedule	By hour, by day, by recording mode, by motion, by alarm, by channel	
Pre Recording	Max. 30 Seconds	
Post Recording	Max. 5 min / Min. 10 Sec	
Reliability	Watch-Dog, auto-recovery after power failure	
Covert Video	Yes	
Playback		
Playback Channel	1 / 4 / 8	
Playback Speed	Variable max 4x	
Playback Players	Backup Player	
Search	By Time/Date, MD & Exact search (accurate to second)	
Log Search	Up to 1,000 lines for motion detected, configuration changes, connects/disconnects and video loss	
Audio Play	Yes	

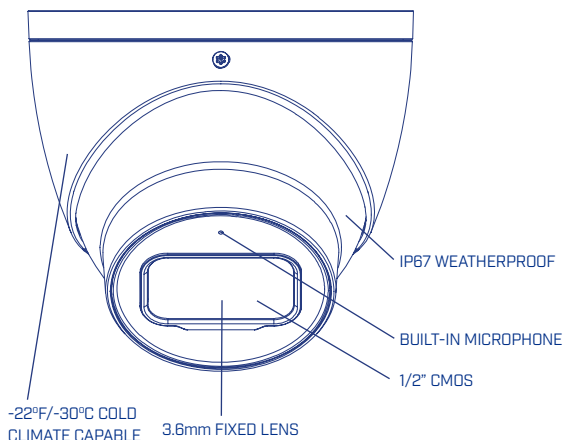
Storage & Archive	
Storage	1 HDD (SATA)
Maximum Capacity	Up to 8TB
Backup Media	USB flash drive & HDD & Network
Backup File Format	DAV, ASF, AVI, or MP4 file
Connectivity	
Cloud Connection	FLIR Cloud™
Supported Operating Systems	Windows™, Mac OSX
Remote Software	Client Software (PC) & Safari (Mac)
Email Notification	Text with snapshot
Instant Smart Phone & Tablet Support	FLIR Cloud™ iPad®, iPhone®, Android™ apps
System Configuration	Full setup configuration over network
Ports	Programmable by User
Network Protocol	HTTP, IPv4/IPv6, TCP/IP, UPNP, RTSP, UDP, SMTP, NTP, DHCP, DNS, PPPOE, DDNS, FTP, IP Filter
Network Interface	10/100-Base-TX, RJ-45
Network Speed Control	96Kb~6144Kb/sec. per camera
DVR General Information	
Power Consumption	Approx. 10 watts (No HDD Installed)
Supply Voltage	100VAC-240VAC, 12VDC, 2A, 50/60Hz
Unit Dimensions (W x D x H)	12.8 x 10 x 2.2" / 325 x 255 x 55mm
Unit Weight	3.3 lb / 1.5 kg (without HDD)
Operating Temperature	14° ~ 131° F / -10° ~ 55° C
Humidity	10 ~ 90% RH



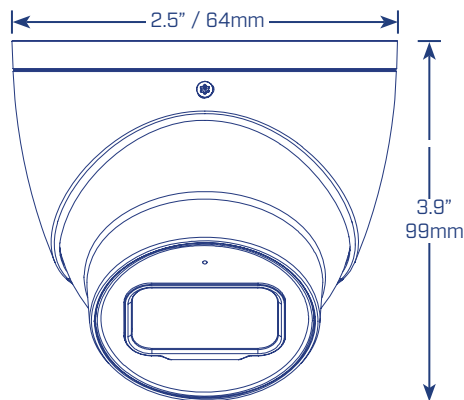
Specifications

Camera	ME373A
Imaging Device	Ultra HD 4K (8MP), 1/2" CMOS
Effective Pixels	3840(H) x 2160(V)
Imager Type	CMOS
Image Readout	Progressive Scan
Day / Night	Auto (ICR) / Color / B/W
Mechanical IR Cut Filter	Yes
Min. Illumination	0.1 Lux @F1.6 (Color) 0.01 Lux @ F1.6 (B/W)
S/N Ratio	≥65dB
Horizontal Field of View	87° (H) field of view
IR Illumination Distance	100ft/31m
IR Wavelength	850nm
IR On / Off Control	No
Video Output	BNC (4K MPX/CVI, 5/4MP/1080p / CVBS Multi-format) ¹
Electronic Shutter Range	1/3(1/4)~1/100,000
Optical	
Lens Type	Fixed
Mount Type	Board Type
Iris Type	Fixed Iris
Iris Control Type	AIS
Focal Length	3.6mm
Aperture	F1.6
Optical Zoom	N/A
Focus	Fixed
Video	
Frame rates (Maximum)	4K(8MP)@15fps (MPX/CVI), 5MP@20fps (AHD/TVI), 4MP@30fps (MPX/CVI), 1080p@30fps (MPX/CVI/AHD/TVI), 960H @30fps (CVBS)
Aspect Ratio	16:9
Wide Dynamic Range	True WDR
Dynamic Range	Up to 100dB
Backlight Compensation	BLC / HLC
White Balance	Auto / Manual
Gain Control	Auto / Manual
Noise Reduction	2D/3D DNR
Smart IR	Yes, Adjustable
Digital Zoom	4x
Video Mirroring/Rotation	Horizontal Mirror / Vertical Flip
Video Overlay	Time / Date / Camera / Custom
Window Blanking (Privacy)	Yes, up to 8 areas
Defog	No
Menu Languages	English / Spanish / Portuguese / Korean / Japanese / Chinese / Russian / Polish / French / German / Italian
Mechanical	
Material	Aluminum Alloy
Product Dimensions (Dia x H)	3.9 x 2.5" / 99 x 64mm
Product Weight	0.77lb / 0.35kg
Electrical	
Analog Video Out (service only)	Yes, full time
Power Input	12V DC
Power Consumption (maximum)	7.1W
Current Consumption (maximum)	585mA
Additional Features	
Built-in Heater	No
Audio I/O	1 Input + Microphone built-in ²
Audio Encoding	G.711a / G.711u / PCM
Alarm I/O	No

Environmental	
Storage Temperature	-22°F ~ +140°F / -30°C ~ +60°C
Storage Humidity	Less than 90% RH
Operating Temperature	-22°F ~ +140°F / -30°C ~ +60°C
Operating Humidity	Less than 90% RH
Cold Start Temperature	-22°F / -30°C
Ingress Protection	IP67 Rated
Vandal Resistance	N/A
Certifications	
Certifications	CE / FCC / RoHS



Dimensions

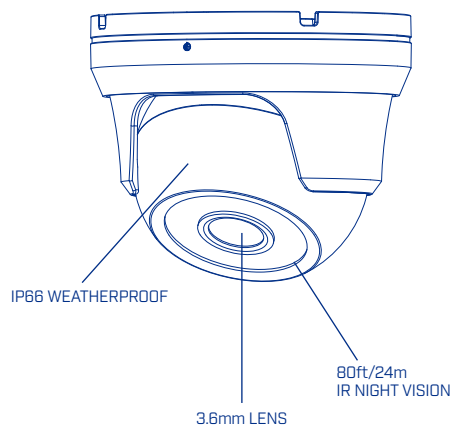


Disclaimers:

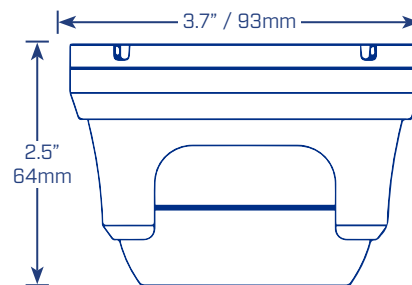
- For analog HD format compatibility, please see the 'Frame Rates' information in the table above.
- Audio is disabled by default. Audio recording and / or use of listen-in audio without consent is illegal in certain jurisdictions. FLIR Systems, Inc. assumes no liability for use of its products that does not conform with local laws.
- This camera should only be used with a power adapter (individually grounded) and extension cable meeting the specifications listed in the Quick Setup Guide / Installation Guide. Failing to use cables or power adapters meeting the required specifications will adversely affect performance.

Specifications

Camera	ME363
Imaging Device	QUAD HD 4MP, 1/3"
Effective Pixels	2688(H) x 1520(V)
Imager Type	CMOS
Image Readout	Progressive Scan
Day / Night	Auto (ICR) / Color / B/W
Mechanical IR Cut Filter	Yes
Min. Illumination	0.2 lux @ F1.2 (Color) 0.05 lux @ F1.2 (B/W)
S/N Ratio	≤50dB
Horizontal Field of View	85° (H) field of view
IR Illumination Distance	80ft (24m) IR Night Vision
IR Wavelength	840~850nm
IR On / Off Control	N
Video Output	BNC (4MP Multi-format*)
Electronic Shutter Range	1/60~1/50,000
Optical	
Lens Type	Fixed
Mount Type	Board Type
Iris Type	Fixed Iris
Iris Control Type	AIS
Focal Length	3.6mm
Aperture	F2.0
Optical Zoom	N/A
Focus	Fixed
Video	
Frame rates (Maximum)	4MP@30fps
Wide Dynamic Range	DWDR
Dynamic Range	N/A
Backlight Compensation	BLC
White Balance	ATW / Manual
Gain Control	Color Gain, Adjustable
Noise Reduction	2D DNR
Smart IR	Yes
Digital Zoom	No
Video Mirroring/Rotation	H Flip / V Flip / HV Flip
Video Overlay	No
Window Blanking (Privacy)	No
Defog	No
Menu Languages	English
Mechanical	
Material	Aluminum Alloy
Product Dimensions (Dia x H)	3.7 x 2.5" / 93 x 64mm
Product Weight	0.9lbs / 0.4kg
Electrical	
Analog Video Out (service only)	No
Power Input	12V DC
Power Consumption (maximum)	4.7W
Current Consumption (maximum)	390mA
Additional Features	
Built-in Heater	N/A
Audio I/O	N/A
Alarm I/O	N/A
Environmental	
Storage Temperature	-40°F ~ +140°F / -40°C ~ +60°C
Storage Humidity	Less than 95% RH
Operating Temperature	-22°F ~ +140°F / -30°C ~ +60°C
Operating Humidity	Less than 85% RH
Cold Start Temperature	-22°F / -30°C
Ingress Protection	IP66 Rated
Vandal Resistance	No
Certifications	
Certifications	CE / FCC / RoHS



Dimensions



Ordering Information

M832K44: 8-41430-01957-2

Package Dimensions

15.31 x 10.94 x 12.36"
389 x 278 x 321mm

MARKHAM, ONTARIO

FLIR Systems, Inc.
250 Royal Crest Court
Markham, ON L3R 3S1
Canada
PH: +1 866.344.4674

Imagery for illustration purposes only. Specifications are subject to change without notice.
©2018 FLIR Systems, Inc. All rights reserved.
(Created 02/26/2018) - (18-0387-SEC)