



ME343
2.1MP HD MPX Fixed Dome Camera

FLIR MPX™

HD MPX Fixed Dome Cameras

The FLIR 2.1MP HD Fixed Dome MPX camera uses the latest HDCVI technology to deliver excellent 1080p picture quality over coax cabling in any lighting condition. Ideal for retrofit applications, the camera is compatible with FLIR MPX DVRs offering an upgrade to HD resolution without the hassle of running new cables.

HD PICTURE QUALITY

MPX 1080p HD picture quality over existing coax

- ME343 – 2.1MP HD, 1080p @ 25/30 fps, 1/2.7" CMOS, 3.6mm lens, 70ft / 21m IR

EASY INSTALLATION

Upgrade to HD without the expense of re-cabling

- Compatible with FLIR MPX DVRs
- Wall / ceiling mountable
- Extend video up to 2000ft (610m) with a single run of RG6 coax

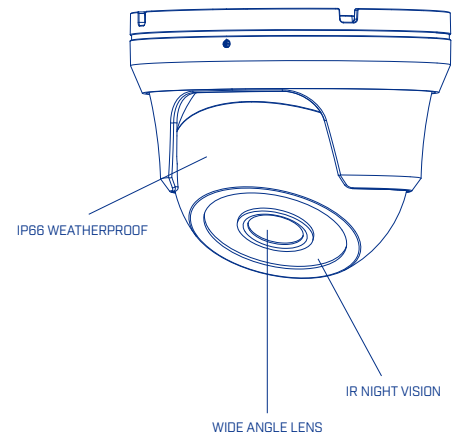
SUPERIOR PERFORMANCE

Advanced & intuitive features with rugged design

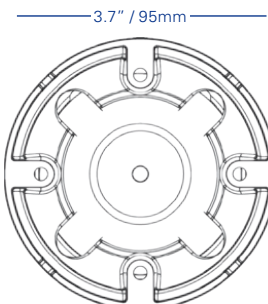
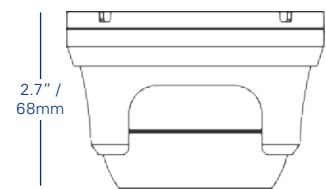
- IP66 weatherproof rated
- -22°F (-30°C) cold climate capable

Specifications

Camera		ME343
Imaging Device	1/2.7" 2.1MP	
Effective Pixels	1920 (H) x 1080 (V)	
Image Type	CMOS	
Image Readout	Progressive Scan	
Day/Night	Y	
Mechanical IR Cut Filter	Y	
Min. Illumination	0.1 Lux @ F1.2 (Color)	
S/N Ratio	≤41dB (AGC OFF)	
Horizontal Field of View	80°	
IR Illumination Range	70ft / 21m	
IR Wavelength	840~850nm	
Video Output	Composite 1.0Vpp @ 75ohm	
Electronic Shutter Range	1/30 (1/25) ~ 1/100,000 sec.	
Optical		
Lens Type	Board Type	
Focal Length	3.6mm	
F-Number	2.0	
Zoom	N	
Iris Control Type / Adjustment	Electronic / Auto or Manual	
Video		
Frame rates	25/30fps	
Backlight Compensation	BLC	
Wide Dynamic Range	Digital WDR	
White Balance	ATW / Manual	
Gain Control	AGC - 0-20 Selectable	
Noise Reduction	2D-DNR, 0-15 Selectable	
Window Blanking	N	
Menu Languages	English, Spanish, Italian, Chinese	
Mechanical		
Construction	Aluminum Alloy	
Product Dimensions (Diameter x Height)	3.7 x 2.7" / 95 x 68mm	
Product Weight	0.60lbs / 0.28kg	
Electrical		
Power Input	12V DC ±10%	
Power Consumption	3.9W	
Current Consumption	325mA MAX with IR LED	
Environment		
Operating Temperature	-22° ~ 140°F / -30° ~ 60°C	
Operating Humidity	≤85% RH	
Ingress Protection	IP66	
Vandal Resistance	N	
Certifications		
Certifications	FCC, CE, ROHS	



Dimensions



MARKHAM, ONTARIO

FLIR Systems, Inc.
250 Royal Crest Court
Markham, ON L3R 3S1
Canada
PH: +1 866.344.4674

PORTLAND

Corporate Headquarters
FLIR Systems, Inc.
27700 SW Parkway Ave.
Wilsonville, OR 97070
USA
PH: +1 866.477.3687

www.flir.com/security
NASDAQ: FLIR

Equipment described herein may require US Government authorization for export purposes. Diversion contrary to US law is prohibited. Imagery for illustration purposes only. Specifications are subject to change without notice. ©2016 FLIR Systems, Inc. All rights reserved. (Created 09/27/16)

Ordering Information

ME343: 8-41430-01633-5

Package Dimensions

ME343: 5.2 x 5.2 x 4.5" /
133 x 133 x 115mm