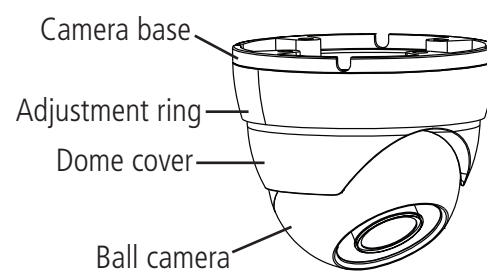


### PACKAGE CONTENTS:

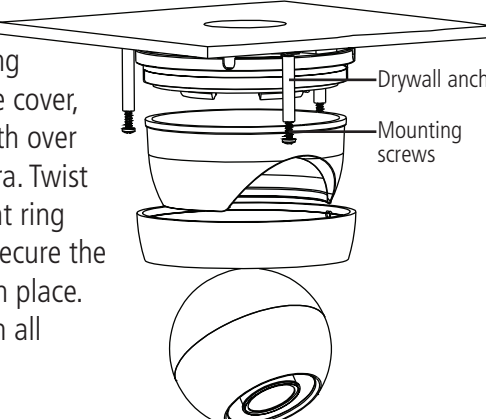


### 1 Installing the Camera

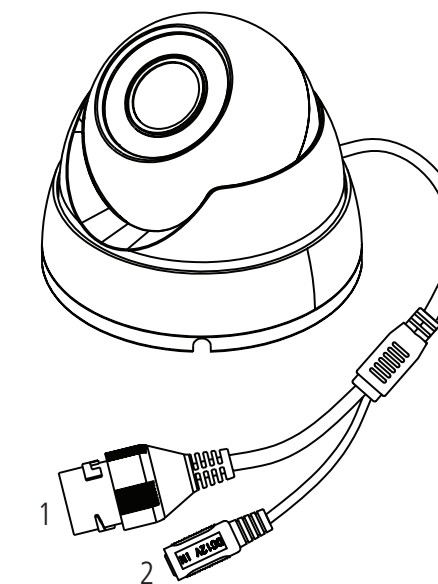
- A** Use the included Allen key to loosen the screws on the dome cover.
- B** Rotate the camera base counter-clockwise to separate it from the ball camera, adjustment ring, and dome cover.
 
- C** Feed the camera cables through the camera base.
- D** Connect the video and power cable as shown in the section 'Connecting the Camera'.
- E** Mount the camera base to the mounting surface using the included mounting screws.
 

**NOTE:** Use the included drywall anchors if installing on a drywall surface.

### 2 Installing the Camera (continued)

- F** Place the adjustment ring over the dome cover, then place both over the ball camera. Twist the adjustment ring clockwise to secure the components in place. Do not tighten all the way.
 
- G** Move the ball camera to the desired position. While holding the ball camera firmly in place, twist the dome cover the rest of the way to secure it to the camera base. Holding the camera prevents it from moving while securing the adjustment ring.
- H** When finished, use the included Allen key to tighten the screws on the dome cover.
- I** Remove the vinyl film from the camera lens once installation is complete.

### 3 Connecting the Camera



- 1. Ethernet Port:** Connect the camera to an NVR or a router or switch on your network using Cat5e or better Ethernet cable (not included). PoE Class 3 supported.
- 2. Power Input:** If not using PoE, connect the camera to a 12V DC power source (300mA or higher required).

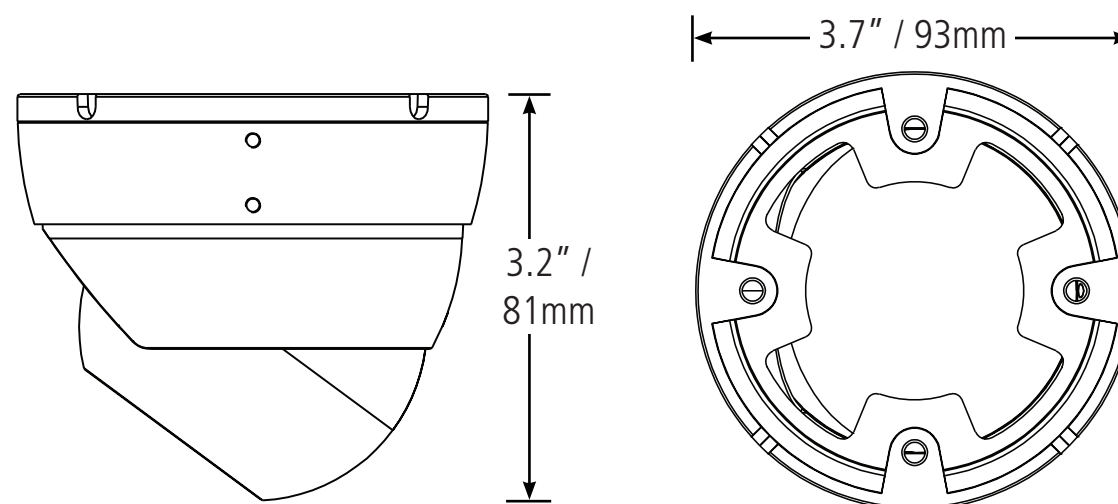
Latest software and manuals available on [www.flirsecurity.com/pro](http://www.flirsecurity.com/pro)



For support, visit [www.flirsecurity.com/pro](http://www.flirsecurity.com/pro)

Information in this document is subject to change without notice. As our products are subject to continuous improvement, FLIR Systems, Inc. and our subsidiaries reserve the right to modify product design, specifications and prices, without notice and without incurring any obligation. E&OE © 2014 FLIR Systems, Inc. All rights reserved.

### Weights & Dimensions



**Weight**  
0.6lbs / 0.3kg

### Safety Precautions

- Use an appropriate low voltage power cable to prevent fire or electrical shock.
- Make sure to install the camera in an area that can support the camera weight.
- There are no user serviceable parts inside the camera. Please do not disassemble the camera.
- Do not clean the lens cover with an abrasive cleaning material. Please use a lint free micro-fiber cloth to clean the lens cover.
- Camera is rated for outdoor use (IP66), but is not intended for submersion in water.

### FCC Notice

This equipment has been tested and found to comply with the limits for a Class A digital device, pursuant to Part 15 of the FCC Rules. These limits are designed to provide reasonable protection against harmful interference when the equipment is operated in a commercial environment. This equipment generates, uses, and can radiate radio frequency energy and, if not installed and used in accordance with the instruction manual, may cause harmful interference to radio communications. Operation of this equipment in a residential area is likely to cause harmful interference in which case the user will be required to correct the interference at his own expense.