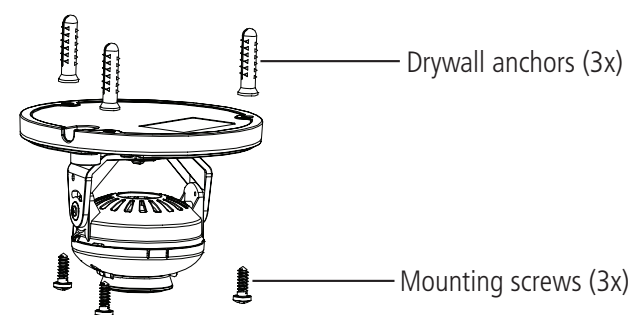


PACKAGE CONTENTS:



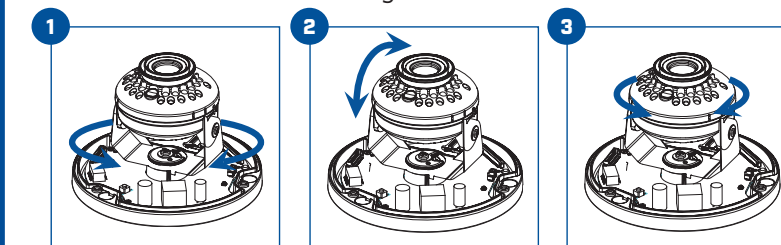
1 Installing the Camera

- A** Use the included Allen key to loosen the screws on the dome cover. Remove the dome cover.
- B** Use the included mounting template to mark holes for the mounting screws and camera cable.
- C** Drill holes for the mounting screws and camera cable.
NOTE: Use the included drywall anchors if installing into drywall.
- D** Connect cables as shown in the section "Connecting the Camera".
- E** Attach the camera base to the mounting surface using the included mounting screws (3x).



2 Installing the Camera (continued)

- F** Set the position and angle of the camera.
 1. Rotate the camera around the base (rotates 360° before it is stopped).
 2. Use a Phillips screwdriver to loosen the adjustment screws on both sides of the camera module. Tilt the camera module. Tighten both screws when finished.
 3. Adjust the position of the camera lens by twisting the camera lens housing.

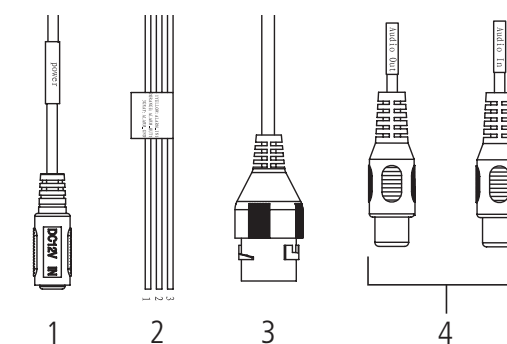


- G** Replace the dome cover. Use the included Allen key to tighten the screws (3x).

ATTENTION: Make sure IR LEDs are not blocked by the dome cover to prevent IR reflection.

- H** Remove the vinyl film from the dome cover.

3 Connecting the Camera



- 1. Power Input:** If not using PoE, connect the camera to a 12V DC power source (370mA or higher required).
- 2. Alarm I/O (Optional):** Connect alarm/sensor devices (not included).
- 3. Ethernet Port:** Connect the camera to an NVR or a router or switch on your network using Cat5e or better Ethernet cable (not included). PoE Class 3 supported.
NOTE: Install the included RJ45 waterproof cap if needed.
- 4. Audio I/O (Optional):** See the Instruction Manual for details.

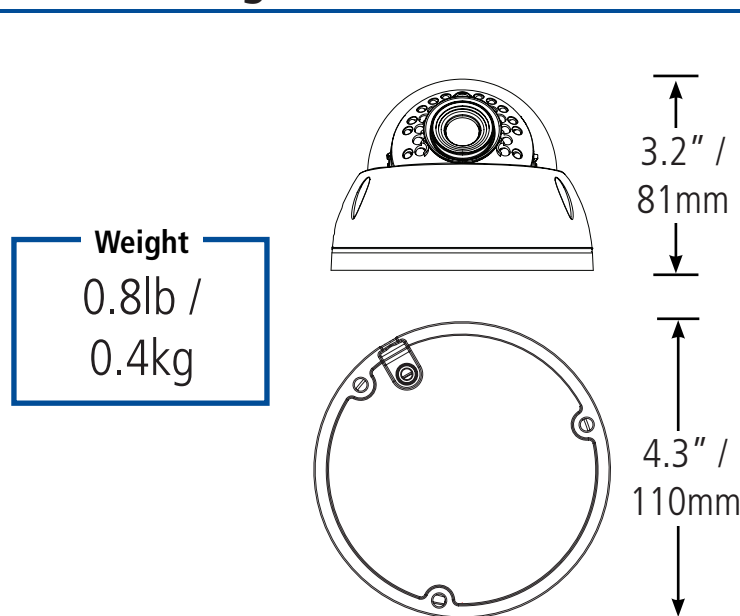
Latest software and manuals available on
www.flir.com/security/support



For support, visit
www.flir.com/security/support

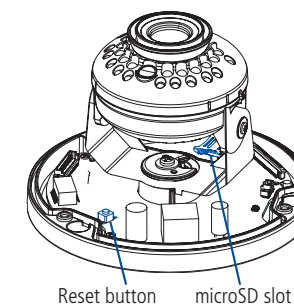
Information in this document is subject to change without notice. As our products are subject to continuous improvement, FLIR Systems, Inc. and our subsidiaries reserve the right to modify product design, specifications and prices, without notice and without incurring any obligation. E&OE © 2015 FLIR Systems, Inc. All rights reserved.

Weights & Dimensions



Inserting the microSD Card

- A** Remove the dome cover.
- B** Slide the metal cover down to open it.
- C** Insert the microSD card (not included) into the slot.
- D** Close the cover and slide it up to lock the microSD card in place.
- E** Replace the dome cover. Tighten the dome cover screws (3x).



Resetting the Camera

- A** Remove the dome cover. Make sure the camera is powered on.
- B** Press and hold the reset button on the camera base for 5 seconds to reset the camera to default settings.
- C** Replace the dome cover. Tighten the dome cover screws (3x).

Safety Precautions

- Use an appropriate low voltage power cable to prevent fire or electrical shock.
- Make sure to install the camera in an area that can support the camera weight.
- There are no user serviceable parts inside the camera. Please do not disassemble the camera.
- Do not clean the lens cover with an abrasive cleaning material. Please use a lint free micro-fiber cloth to clean the lens cover.
- Camera is rated for outdoor use (IP66), but is not intended for submersion in water.

FCC Notice

This equipment has been tested and found to comply with the limits for a Class A digital device, pursuant to Part 15 of the FCC Rules. These limits are designed to provide reasonable protection against harmful interference when the equipment is operated in a commercial environment. This equipment generates, uses, and can radiate radio frequency energy and, if not installed and used in accordance with the instruction manual, may cause harmful interference to radio communications. Operation of this equipment in a residential area is likely to cause harmful interference in which case the user will be required to correct the interference at his own expense.