

## Compatible Accessories

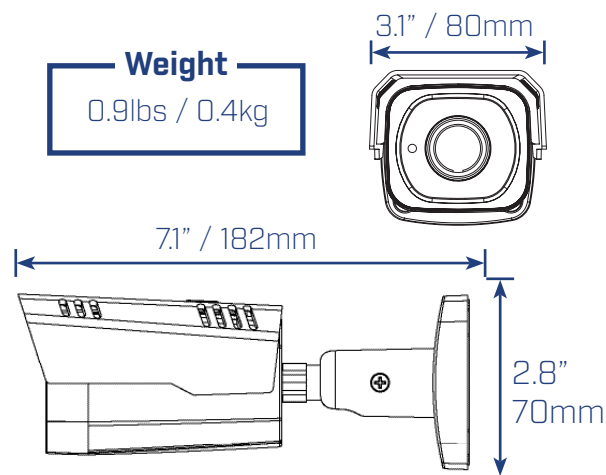
This security camera has several mounting options:

| Accessories  | Model Numbers      |
|--------------|--------------------|
| Junction Box | S1JF2G             |
| Corner Mount | S1RA2G with S1JF2G |
| Pole Mount   | S4PA2G with S1JF2G |

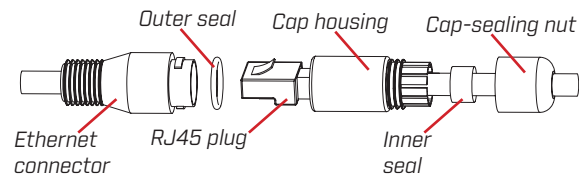
## Safety Precautions

- Use an appropriate low-voltage power cable to prevent fire or electrical shock.
- Make sure to install the camera in an area that can support the camera weight.
- There are no user-serviceable parts inside the camera. Do not disassemble the camera.
- Do not clean the lens cover with an abrasive cleaning material. Use a soft cloth to clean the lens cover.
- Camera is rated for outdoor use (IP66), but is not intended for submersion in water.
- Extend the Ethernet cable run for your camera up to 300ft. You can use an RJ45 coupler or network switch to connect male ends of Ethernet cable together. A maximum of 3 connections is recommended.

## Weights & Dimensions



## Using the RJ45 Cap (Optional)



- 1 Fit the outer seal over your camera's Ethernet connector and insert the inner seal into the cap housing.
- 2 Run the stripped end of an Ethernet cable through the parts of the RJ45 cap, as shown above.
- 3 Terminate the Ethernet cable with an RJ45 plug, and plug the cable into your camera's Ethernet connector.
- 4 Screw the cap housing onto the Ethernet connector.
- 5 Screw the cap-sealing nut tightly into the cap housing.

### ATTENTION:

The supplied RJ45 cap is weather-resistant. Seal the cap with silicone if it will be exposed to precipitation regularly.

## FCC Notice

This equipment has been tested and found to comply with the limits for a Class A digital device, pursuant to Part 15 of the FCC Rules. These limits are designed to provide reasonable protection against harmful interference when the equipment is operated in a commercial environment. This equipment generates, uses, and can radiate radio frequency energy and, if not installed and used in accordance with the instruction manual, may cause harmful interference to radio communications. Operation of this equipment in a residential area is likely to cause harmful interference in which case the user will be required to correct the interference at his own expense.

## IT'S ALL ON THE WEB!

VISIT  
[flir.com/security/pro](http://flir.com/security/pro)

FLIR Systems, Inc., Copyright © 2016

As our products are subject to continuous improvement, FLIR Systems Inc. reserves the right to modify product design, specifications and prices, without notice and without incurring any obligation. E80E



N243BW4\_QSG\_EN\_R1

## 4MP Network Bullet Camera

QUICK START GUIDE  
English Version 1.0

MODEL:  
N243BW4 SERIES



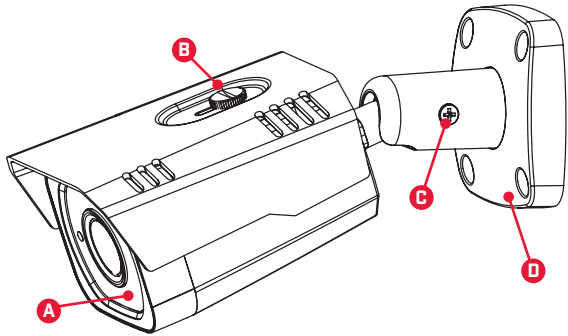
# FLIR IP™

[flir.com/security/pro](http://flir.com/security/pro)

## Package Contents

- 1× 4MP Network Bullet Camera
- 4× Mounting Screws & Drywall Anchors
- 1× Mounting Template
- 1× RJ45 Cap

## Camera Overview



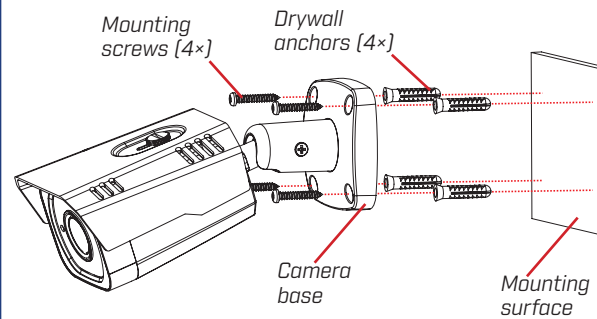
- A.** Light Sensor and IR LEDs  
**B.** Sun Shield Screw  
**C.** Arm Adjustment Screw  
**D.** Camera Base

## Installing the Camera

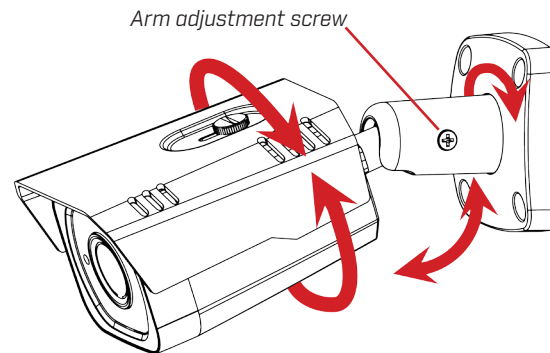
### ATTENTION:

Test the camera(s) prior to selecting a permanent mounting location by temporarily connecting the camera(s) and cables to an NVR or PoE network switch.

- 1** Use the included mounting template to mark holes for the mounting screws and the camera cable.
- 2** Drill holes for the mounting screws and camera cable.  
**NOTE:** Use the included drywall anchors if needed.
- 3** Connect cables as shown in the section “Connecting the Camera”.
- 4** Attach the camera base to the mounting surface using the included mounting screws (4×).



- 5** Loosen the arm adjustment screw using a Phillips head screwdriver. Set the position and angle of the camera. Tighten the arm adjustment screw when finished.



- 6** Remove the vinyl film from the camera lens when your installation is complete.

## Connecting the Camera

- A** **Ethernet Connector:** Connect the camera to an NVR or a router or switch on your network using CAT5e or better Ethernet cable (not included). PoE supported (802.3af).

**NOTE:** For instructions on weatherproofing the Ethernet connection, see “Using the RJ45 Cap (Optional)” on reverse.

- B** **Power Input:** If not using PoE, connect the camera to a 12V DC power source (420mA or higher required).

