

## Compatible Accessories

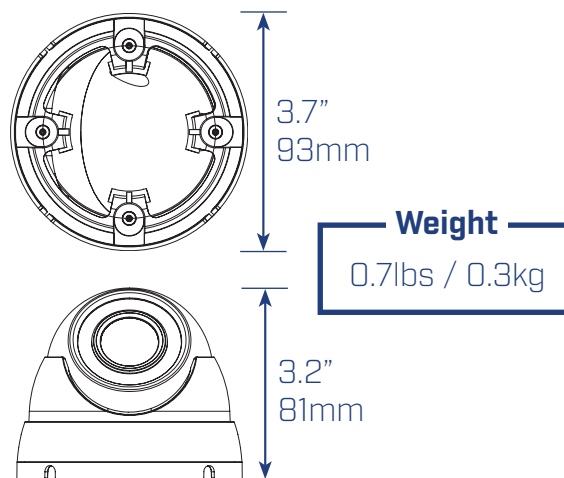
This security camera has several mounting options:

Accessories	Model Numbers
Junction Boxes	S4JF1G (circular), or S1JF2G (square)
Wall Mount	S1WA1G
Pole Mounts	S4PA2G with S1WA1G, or S4PA2G with S1JF2G

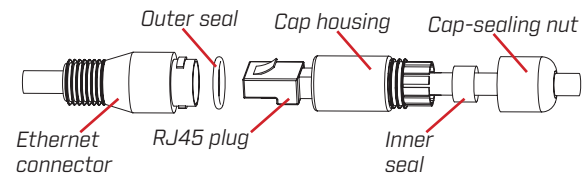
## Safety Precautions

- Use an appropriate low-voltage power cable to prevent fire or electrical shock.
- Make sure to install the camera in an area that can support the camera weight.
- There are no user-serviceable parts inside the camera. Do not disassemble the camera.
- Do not clean the lens cover with an abrasive cleaning material. Use a soft cloth to clean the lens cover.
- Camera is rated for outdoor use (IP66), but is not intended for submersion in water.
- Extend the Ethernet cable run for your camera up to 300ft. You can use an RJ45 coupler or network switch to connect male ends of Ethernet cable together. A maximum of 3 connections is recommended.

## Weights & Dimensions



## Using the RJ45 Cap (Optional)



- 1 Fit the outer seal over your camera's Ethernet connector and insert the inner seal into the cap housing.
- 2 Run the stripped end of an Ethernet cable through the parts of the RJ45 cap, as shown above.
- 3 Terminate the Ethernet cable with an RJ45 plug, and plug the cable into your camera's Ethernet connector.
- 4 Screw the cap housing onto the Ethernet connector.
- 5 Screw the cap-sealing nut tightly into the cap housing.

### ATTENTION:

The supplied RJ45 cap is weather-resistant. Seal the cap with silicone if it will be exposed to precipitation regularly.

## FCC Notice

This equipment has been tested and found to comply with the limits for a Class A digital device, pursuant to Part 15 of the FCC Rules. These limits are designed to provide reasonable protection against harmful interference when the equipment is operated in a commercial environment. This equipment generates, uses, and can radiate radio frequency energy and, if not installed and used in accordance with the instruction manual, may cause harmful interference to radio communications. Operation of this equipment in a residential area is likely to cause harmful interference in which case the user will be required to correct the interference at his own expense.

## IT'S ALL ON THE WEB!

VISIT  
[flir.com/security/pro](http://flir.com/security/pro)

FLIR Systems, Inc., Copyright © 2016

As our products are subject to continuous improvement, FLIR Systems Inc. reserves the right to modify product design, specifications and prices, without notice and without incurring any obligation. E80E



## 4MP Network Dome Camera

QUICK START GUIDE  
English Version 1.0

MODEL:  
N243EW4 SERIES



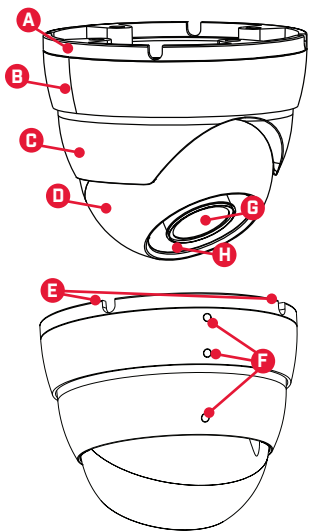
# FLIR IP™

[flir.com/security/pro](http://flir.com/security/pro)

## Package Contents

- 1× 4MP Network Dome Camera
- 4× Mounting Screws & Drywall Anchors
- 1× Allen Key
- 3× Anti-Tampering Screws
- 1× Mounting Template
- 1× RJ45 Cap

## Camera Overview



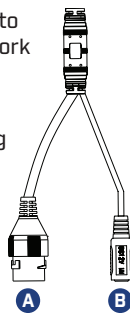
- A. Camera Base
- B. Adjustment Ring
- C. Camera Cover
- D. Ball Camera
- E. Cable Notches (4×)
- F. Anti-Tampering Screws (3×)
- G. Camera Lens
- H. Light Sensor and IR LEDs

## Connecting the Camera

**A Ethernet Connector:** Connect the camera to an NVR or a router or switch on your network using CAT5e or better Ethernet cable (not included). PoE supported (802.3af).

**NOTE:** For instructions on weatherproofing the Ethernet connection, see “Using the RJ45 Cap (Optional)” on the reverse.

**B Power Input:** If not using PoE, connect the camera to a 12V DC power source (420mA or higher required - not included).



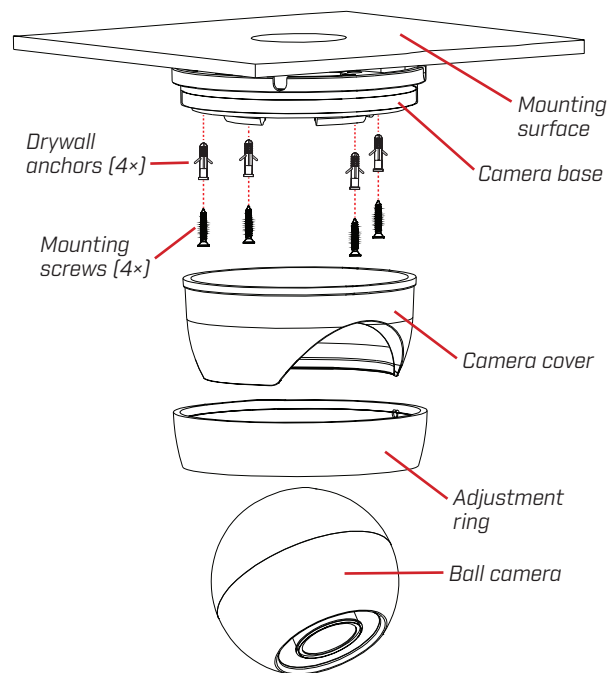
## Installing the Camera

### ATTENTION:

Test the camera before selecting a permanent mounting location by temporarily connecting the camera(s) and cables to an NVR or PoE network switch.

- 1 Turn the camera base to separate it from the rest of the camera.
- 2 Use the included mounting template to mark holes for the mounting screws and camera cable on the mounting surface.
- 3 Drill holes in the mounting surface for the mounting screws and camera cabling.
- 4 Feed the camera cables through the camera base.
- 5 Make cable connections as shown in the section “Connecting the Camera”.
- 6 Secure the camera base to the mounting surface using the included mounting screws.

**NOTE:** Use the included drywall anchors if needed.

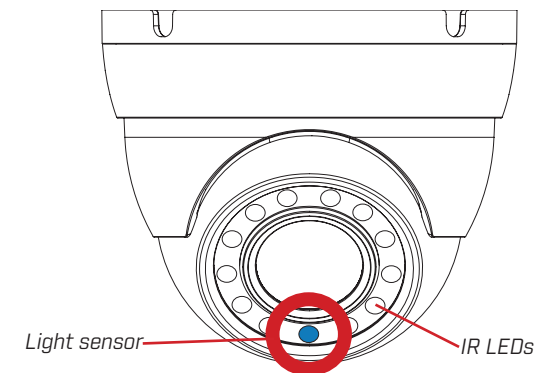


- 7 Place the adjustment ring over the camera cover, then place both of them over the ball camera.
- 8 Twist the adjustment ring to secure all of the parts in place. Do not tighten all the way.

## Installing the Camera (cont'd)

- 9 Move the ball camera into the desired position.

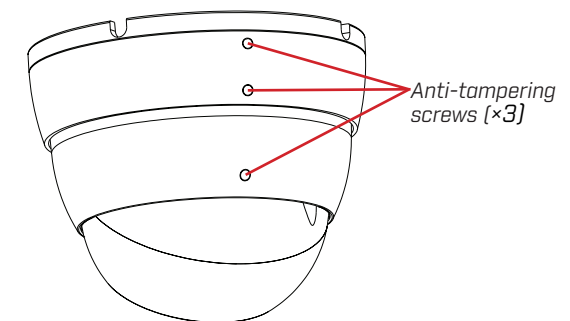
**TIP:** You can make sure the camera is level by positioning the light sensor (with the colored lens) at exactly 6 o'clock as shown below.



### ATTENTION:

Make sure the light sensor and IR LEDs are not blocked by the camera cover. This can cause IR reflection or blocked light, affecting your camera's performance.

- 10 While holding the ball camera in place, twist the adjustment ring the rest of the way to secure it.
- 11 Use the included Allen key to screw in the three anti-tampering screws, as shown below.



- 12 Remove the vinyl film from the camera lens when your installation is complete.