

FLIR IP™ N243MW2

WDR Audio Vandal Dome Camera



N243MW2
WDR Audio Vandal Dome Camera

The **FLIR WDR Audio Vandal Dome IP Camera** features an inconspicuous low-profile design and built-in microphone for listening. This vandalproof dome delivers excellent 1080p HD picture quality in real time with True WDR capability up to 100dB.

HD PICTURE QUALITY

Outstanding 1080p picture quality day and night

- 2.1MP HD, 1080p @ 25/30FPS, 1/2.8" CMOS, 2.8mm wide angle lens, 60ft/18m IR range
- True Wide Dynamic Range (up to 100dB)
- 120° Wide field of view

KEY FEATURES

Boasts enhanced features and functionality for added flexibility and uses

- H.264/MJPEG Triple Stream support
- Edge recording supported
- Built-in microphone for audio monitoring

BUILT TO PERFORM

Installation in any outdoor conditions

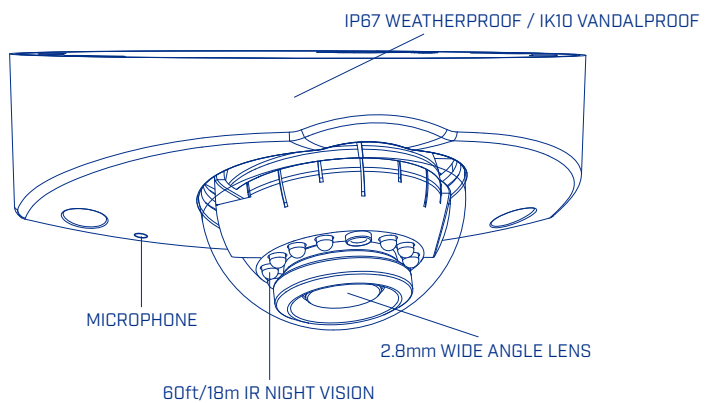
- IP67 weatherproof rated housing & IK10 vandalproof
- -22°F/-30°C Cold Climate capable
- Inconspicuous low profile design with durable housing



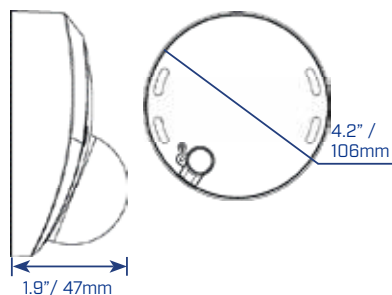
Specifications

Camera		N243MW2
Imaging Device		HD 2.1MP, 1/2.8"
Effective Pixels		H: 1928 V: 1088
Image Type		CMOS
Image Readout		Progressive Scan
Day/Night		Auto (ICR) / Color / B/W
Mechanical IR Cut Filter		Yes
Min. Illumination		0.1lux @ F2.0 (Color) 0.01lux @ F2.0 (B/W)
S/N Ratio		≥56dB (AGC OFF)
Field of View (H)		120°
IR Illumination		60ft/18m, 850nm
IR ON/OFF Control		Yes
Video Output		RJ45
Audio		Built-in microphone
Electronic Shutter Range		1/3s~1/100,000s
Optical		
Lens Type		Fixed
Mount Type		Board Type
Iris Type		Fixed Iris
Iris Control Type		AIS
Focal Length		2.8mm
Aperture		F2.0
Optical Zoom		None
Focus		None
Video		
Video Compression		H.264 / MJPEG / Ready for Super H.264™ advanced Compression
Video Streams		H.264/MJPEG Triple Stream
Resolution Selection (Mainstream)		1080P (1920×1080) / SXGA (1280×1024) / 1.3MP (1280×960) / 720P (1280×720) / D1 (704×576 / 704×480)
Aspect Ratio		16:9 (excl. SXGA @ 5:4 / 1.3MP @ 4:3)
Frame Rates (Maximum)		25/30fps
Bit Rate Control		CBR / VBR (w/Cap)
Bit Rate Selection (Mainstream)		H.264: 1,280K ~ 10,240Kbps
Quality Setting Range (default)		1-6 (6)
Region of Interest (Selectable areas)		Yes (4)
Wide Dynamic Range		True WDR, User Adjustable
Dynamic Range		Up to 100dB
Backlight Compensation		BLC / HLC
White Balance		Auto / Manual
Gain Control		Auto / Manual
Noise Reduction		3D DNR Advanced
Smart IR		Yes
Digital Zoom		Up to 10x
Tamper Detection		Yes
Video Mirroring / Rotation		Horizontal Mirror / Vertical Flip
Video Overlay		Time / Date/ Camera / Custom Text
Window Blanking (Privacy)		Up to 4 Areas
Menu Languages		English
Network		
Protocols		IPv4/IPv6, HTTP, HTTPS, SSL, TCP/IP, UDP, UPnP, ICMP, IGMP, SNMP, RTSP, RTP, SMTP, NTP, DHCP, DNS, PPPOE, DDNS, FTP, IP Filter, QoS, Bonjour
ONVIF Conformance		ONVIF Profile S
RTSP Video		Standard RFC2326 / Supports QuickTime/VLC Player / User Security Authentication (Enabled/Disabled)
Users		20 Users
Mechanical		
Material		Aluminum Alloy
Product Dimensions (Dia x H)		4.2 x 1.9" / 106 x 47mm
Product Weight		0.70 lbs / 0.32 kg

Electrical		N243MW2
Network Port		RJ45 (10/100 Base-T)
Analog Video Out (service only)		N/A
Power Input		12V DC / PoE
Power over Ethernet Type		PoE (802.3af)
Power Consumption (maximum)		5W
Current Consumption (maximum)		420mA
Additional Features		
Edge Storage		Yes / microSD Type (128GB max.)
Built-in Heater		No
Audio I/O		No
Audio Encoding		G.711a / G.711Mu / PCM / AAC
Alarm I/O		No
Environmental		
Storage Temperature		-22°F ~ +140°F / -30°C ~ +60°C
Storage Humidity		Less than 90% RH
Operating Temperature		-22°F ~ +140°F / -30°C ~ +60°C
Operating Humidity		Less than 90% RH
Cold Start Temperature		-22°F / -30°C
Ingress Protection		IP67 Rated
Vandal Resistance		IK10
Certifications		
Certifications		FCC / CE



Dimensions



For latest accessory / mount compatibility visit www.flir.com/security/cameramounts

Ordering Information

N243MW2: 8-41430-01382-2

Package Dimensions

5.3" W x 5.4" D x 4.5" H
137mm W x 138mm D x 115mm H

MARKHAM, ONTARIO

FLIR Systems, Inc.
250 Royal Crest Court
Markham, ON L3R 3S1
Canada
PH: +1 866.344.4674

PORTLAND

Corporate Headquarters
FLIR Systems, Inc.
27700 SW Parkway Ave.
Wilsonville, OR 97070
USA
PH: +1 866.477.3687

www.flir.com/security
NASDAQ: FLIR

Equipment described herein may require US Government authorization for export purposes. Diversion contrary to US law is prohibited. Imagery for illustration purposes only. Specifications are subject to change without notice. ©2017 FLIR Systems, Inc. All rights reserved. [Created on 06/22/17 - Updated on 10/03/2017] (17-2909-SEC).