

FLIR IP™

N243VW4

Fixed IP Vandal Dome Camera



N243VW4
Fixed IP Vandal Dome Camera

The FLIR WDR Fixed Vandal Dome IP camera offers exceptional performance, providing brilliant image clarity and an incredible level of detail in recordings. True WDR capability up to 100dB ensures excellent image quality around-the-clock. Suitable for both indoor and outdoor installations (IP66 rated) and cold climates (-22°F/-30°C).

HD PICTURE QUALITY

Outstanding image detail, day & night

- N243VW4 – 4MP Quad HD @ 20fps, 1/3" CMOS, 2.8mm fixed lens, 100°(H), 90ft/27m IR Range
- True Wide Dynamic Range (up to 100dB)

ADVANCED FEATURES

Intelligent compression optimizes video based on available bandwidth

- H.264 / MJPEG triple stream support
- Hallway Mode
- 4-Zone Region of Interest

RUGGED DESIGN

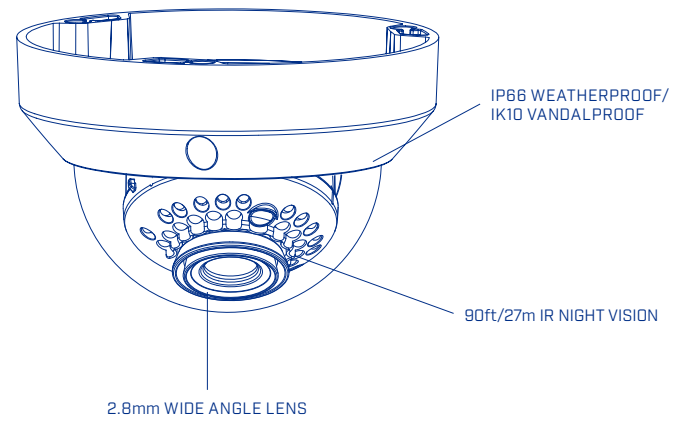
Durable weatherproof housing

- Tamper detection
- IP66 weatherproof-rated
- Vandal-resistant IK10 rated
- Cold climate capability (-22°F/-30°C)

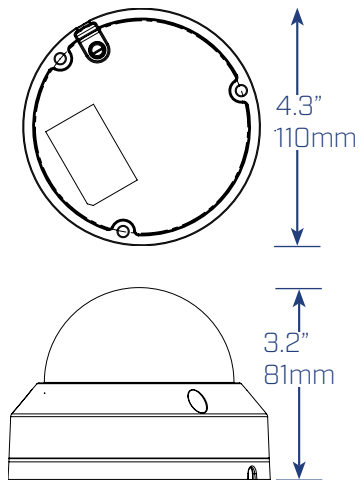


Specifications

Camera		N243VW4
Imaging Device		QUAD HD 4MP, 1/3"
Effective Pixels		2688(H) × 1520(V)
Image Type		CMOS
Image Readout		Progressive Scan
Day/Night		Auto (ICR) / Color / B/W
Mechanical IR Cut Filter		Yes
Min. Illumination		0.3lux @ F2.0 (Color) 0.05lux @ F2.0 (B/W)
S/N Ratio		≥58dB
Field of View		100° (H) field of view
IR Illumination		90ft (27m) IR Night Vision
IR ON/OFF Control		Yes
Video Output		RJ45
Electronic Shutter Range		1/3(4)~1/100,000s
Optical		
Lens Type		Fixed
Mount Type		Board Type
Iris Type		Fixed Iris
Focal Length		2.8mm lens
Aperture		F2.0
Optical Zoom		N/A
Focus		Fixed
Iris Control Type		ALS
Video		
Video Compression		H.264 / MJPEG / Ready for Super H.264™ advanced compression
Video Streams		H.264 / MJPEG Triple Stream
Resolution Selection		4MP(2688 × 1520) / 3.7MP(2560×1440) / 3MP(2304×1296) / 1080P(1920×1080) / 1.3MP(1280×960) / 720P(1280×720)
Aspect Ratio		16:9 (excl. 1.3MP @ 4:3)
Frame Rates (Maximum)		4MP @ 20fps / 3MP/1080p/720p @ up to 25/30fps
Bit Rate Control		CBR / VBR (w/Cap)
Bit Rate Selection		Main Stream H.264 – 1,792 Kbps ~ 10,240Kbps / Custom
Quality Setting Range (Default)		1-6 (4)
Region of Interest (Selectable areas)		Yes (4)
Wide Dynamic Range		True WDR, User Adjustable
Dynamic Range		Up to 100dB
Backlight Compensation		BLC / HLC
White Balance		Auto / Manual
Gain Control		Auto / Manual
Noise Reduction		3D Advanced
Smart IR		Yes, User Adjustable
Digital Zoom		Up to 10x
Tamper Detection		Yes
Video Mirroring / Rotation		Horizontal Mirror / 90° / 180° / 270° / Hallway Mode
Video Overlay		Channel / Time / Picture / Custom Text
Window Blanking (Privacy)		Up to 4 Areas
Menu Languages		English
Network		
Protocols		IPv4/IPv6, HTTP, HTTPS, SSL, TCP/IP, UDP, UPnP, ICMP, IGMP, SNMP, RTSP, RTP, SMTP, NTP, DHCP, DNS, PPPOE, DDNS, FTP, IP Filter, QoS, Bonjour
ONVIF Conformance		ONVIF Profile S
RTSP Video		Standard RFC2326, Support QuickTime/VLC Player. User Security Authentication (Enabled/Disabled)
Users		20 Users
Mechanical		
Material		Aluminum Alloy
Product Dimensions (Dia × H)		4.3" D × 3.2" H 110mm D × 81mm H
Product Weight		0.9 lb / 0.4 kg



Dimensions



Specifications

Electrical	
N243VW4	
Network Port	RJ45 (10/100 Base-T)
Analog Video Out (service only)	No
Power Input	12V/PoE (802.3af)
Power over Ethernet Type	PoE (802.3af)
Power Consumption (maximum)	5W
Current Consumption (maximum)	420mA
Additional Features	
Edge Storage	Yes
Built-in Heater	N/A
Audio I/O	1 Input / 1 Output
Encoding	G.711a / G.711Mu / PCM / AAC
Alarm I/O	1 Input / 1 Output
Environmental	
Storage Temperature	-40°F ~ +140°F / -40°C ~ +60°C
Storage Humidity	Less than 95% RH
Operating Temperature	-22°F ~ +140°F / -30°C ~ +60°C
Operating Humidity	Less than 95% RH
Cold Start Temperature	-22°F / -30°C
Ingress Protection	IP66 Rated
Vandal Resistance	IK10
Certifications	
Certifications	CE / FCC

Available Accessories:

N243VW4
 Junction Box (S4JF2G)
 Wall Mount (S1WA2G)
 Pole Mount (S4PA2G + S1WA2G or S1PA2G + S4JF2G)
 Corner Mount (S1RA2G + S4JF2G)

Ordering Information

N243VW4: 8-41430-01388-4

Package Dimensions

5.39" W × 5.43" D × 4.53" H
 137mm W × 138mm D × 115mm H

MARKHAM, ONTARIO

FLIR Systems, Inc.
 250 Royal Crest Court
 Markham, ON L3R 3S1
 Canada
 PH: +1 866.344.4674

www.flir.com/security
 NASDAQ: FLIR

PORTLAND

Corporate Headquarters
 FLIR Systems, Inc.
 27700 SW Parkway Ave.
 Wilsonville, OR 97070
 USA
 PH: +1 866.477.3687

Equipment described herein may require US Government authorization for export purposes. Diversion contrary to US law is prohibited. Imagery for illustration purposes only. Specifications are subject to change without notice. ©2017 FLIR Systems, Inc. All rights reserved. [Created 02/06/17]