

FLIR IP™

N253EA8/N253EA8BK

4K Ultra HD WDR Fixed Audio Dome



N253EA8/N253EA8BK
4K Ultra HD WDR Fixed Audio Dome

The FLIR 4K Ultra HD WDR Fixed Audio Dome IP Camera offers exceptional performance and an incredible level of detail in recordings. True WDR capability up to 100dB ensures excellent image quality around the clock, and H.265 delivers improved compression efficiency for significant hard drive space savings. The camera also features a built-in microphone for listen-in audio.

4K HD PICTURE QUALITY

4K Ultra HD (8MP 3840x2160) resolution provides the highest standard in image clarity and detail for evidence collection

- Ultra HD 4K (8MP) @ 15fps, 4MP @ 25fps / 3MP/1080p/720p @ up to 25/30fps
- 2.8mm lens provides a wide angle 112° field of view
- IR night vision range up to 82ft/25m

ADVANCED FEATURES

H.265 compression coupled with Region of Interest (ROI) optimizes video performance based on available bandwidth

- Advanced H.265 & Super H.264™ compression technology
- Built-in microphone for audio recording*
- 4-Zone Region of Interest

WEATHERPROOF

Installation in any outdoor conditions

- IP67 weatherproof
- -22°F/-30°C Cold Climate capable
- Tamper Detection
- 12V/PoE (802.3af)

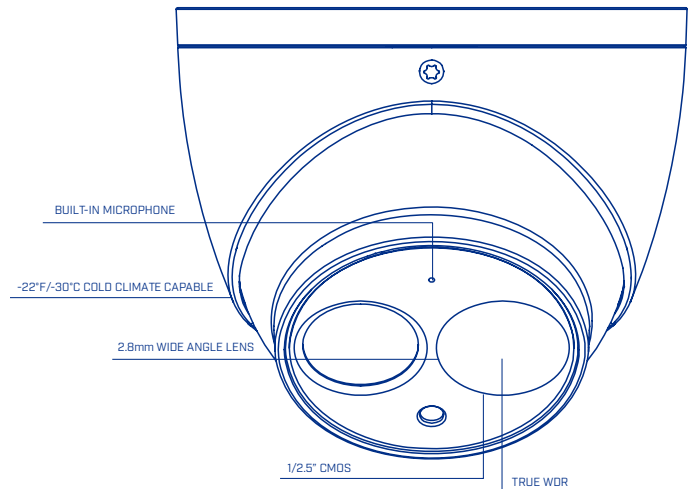
* Audio is disabled by default. Audio recording or use of listen-in audio without consent is illegal in certain jurisdictions. FLIR Systems, Inc. does not assume liability for any use of its products that fails to conform with local laws.



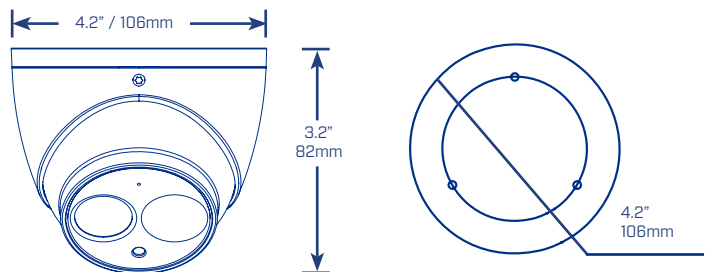
Specifications

Camera		N253EA8/N253EA8BK
Imaging Device	Ultra HD 4K (8MP), 1/2.5"	
Effective Pixels	3840(H) × 2160(V)	
Image Type	CMOS	
Image Readout	Progressive Scan	
Day / Night	Auto (ICR) / Color / B/W	
Mechanical IR Cut Filter	Yes	
Min. Illumination	0.2lux @ F1.4 (Color) 0 lux @ F1.4 (B/W)	
S/N Ratio	≥50dB	
Field of View (H)	112°	
IR Illumination	82ft/25m, 850nm	
IR On / Off Control	Yes	
Video Output	RJ45	
Electronic Shutter Range	1/3(4)s - 1/100,000s	
Optical		
Lens Type	Fixed	
Mount Type	Board Type	
Iris Type	Fixed	
Iris Control Type	Auto	
Focal Length	2.8mm	
Aperture	F1.8	
Optical Zoom	N/A	
Focus	Fixed	
Video		
Video Compression	H.265 / Super H.264™ / MJPEG	
Video Streams	H.265 / H.264 / MJPEG Triple Stream	
Resolution Selection	4K (3840×2160) / 6.3MP (3072×2048) / 5.3MP (3072×1728) / 5MP (2592×1944) / 4MP (2688×1520) / 3.7MP (2560×1440) / 3MP (2304×1296) / 1080p (1920×1080) / SXGA (1280×1024) / 1.3MP (1280×960) / 720p (1280×720)	
Aspect Ratio	16:9 / 4:3 (select non 4K resolutions)	
Frame rates (Maximum)	Ultra HD 4K (8MP) @ 15fps, 4MP @ 25fps / 3MP/1080p/720p @ up to 25/30fps	
Bit Rate Control	CBR / VBR	
Bit Rate Selection	H.265: 768 ~ 6912Kbps H.264: 2304 ~ 10240Kbps	
Quality Setting Range (default)	1-6 (4)	
Region of Interest (selectable areas)	Yes (4)	
Wide Dynamic Range	True WDR	
Dynamic Range	100dB	
Backlight Compensation	BLC / HLC	
White Balance	Auto / Manual	
Gain Control	Auto / Manual	
Noise Reduction	3D Advanced	
Smart IR	Yes, User adjustable	
Digital Zoom	Up to 16x	
Tamper Detection	Yes	
Video Mirroring/Rotation	Horizontal Mirror / Vertical Flip	
Video Overlay	Time / Date / Camera / Custom Text	
Window Blanking (Privacy)	Up to 4 Areas	
Menu Languages	English	
Network		
Protocols	IPv4/IPv6, HTTP, HTTPS, SSL, TCP/IP, UDP, UPnP, ICMP, IGMP, SNMP, RTSP, RTP, SMTP, NTP, DHCP, DNS, PPPoE, DDNS, FTP, IP Filter, QoS, Bonjour	
ONVIF Conformance	ONVIF Profile S	
RTSP Video	Standard RFC2326 / Supports QuickTime / VLC Player / User Security Authentication (Enabled/Disabled)	
Users	20 Users	
Mechanical		
Material	Aluminum Alloy	
Product Dimensions (Dia × H)	4.2" W × 3.2" D × 4.2 H 106mm × 82mm × 106mm	
Product Weight	1.05 lbs / 0.47kg	
Electrical		
Network Port	RJ45 (10/100 Base-T)	
Analog Video Out (service only)	N/A	
Power Input	12V DC / PoE	
Power over Ethernet Type	PoE (802.3af)	
Power Consumption	5.4W	
Current Consumption	420mA	

Additional Features	
Edge Storage	N/A
Built-in Heater	N/A
Audio I/O	Built-in Microphone
Audio Encoding	G.711a / G.711Mu / AAC / G.726
Alarm I/O	N/A
Environmental	
Storage Temperature	-22°F ~ +140°F / -30°C ~ +60°C
Storage Humidity	Less than 95% RH
Operating Temperature	-22°F ~ +140°F / -30°C ~ +60°C
Operating Humidity	Less than 95% RH
Cold Start Temperature	-22°F / -30°C
Ingress Protection	IP67 Rated
Vandal Resistance	N/A
Certifications	
Certifications	CE / FCC / RoHS



Dimensions



Available Accessories:

For accessory / mount compatibility visit:
www.flir.com/security/cameramounts

Ordering Information

N253EA (grey): 8-41430-01950-3
N253EA8BK (black): 8-41430-01951-0

Package Dimensions

N253EA8 6.1" × 6.1" × 5.4" / 155mm × 155mm × 138mm. Weight: 1.8lb / 0.8kg
N253EA8BK 6.1" × 6.1" × 5.4" / 155mm × 155mm × 138mm. Weight: 1.8lb / 0.8kg

MARKHAM, ONTARIO

FLIR Systems, Inc.
250 Royal Crest Court
Markham, ON L3R 3S1
Canada
PH: +1 866.344.4674
www.flirsecurity.com

Imagery for illustration purposes only. Specifications are subject to change without notice. ©2018 FLIR Systems, Inc. All rights reserved. [Created 03/08/18]. 118-0373-SEC.