



N336ZD3/P

FLIR IP™

2.1MP 30× PTZ IP Camera

The FLIR 1080p HD 30× PTZ IP camera delivers outstanding picture quality both day and night – even in harsh weather conditions – for optimized perimeter monitoring. The powerful 30× optical zoom enables clear identification of objects at extended distances.

HD IN REAL TIME

Outstanding picture quality day and night

- Supports 1080p HD @ 25/30 fps
- 2.1 MP HD, 1/2.8" CMOS Progressive Scan
- 330ft / 100m IR night vision range for total visibility day or night

30× OPTICAL ZOOM

PTZ perimeter monitoring and identification at extended distances

- 30× optical zoom (4.3 - 135mm) enables extended-range identification
- High speed 350°/s pan speed, 360° continuous pan rotation
- Up to 300 preset positions, 5 auto scans, 8 tours, 5 patterns

RUGGED DESIGN

ArcticPro technology with built-in heater and IP66 weatherproof

- ArcticPro technology for harsh climates (minimum operating temperature -40°F / -40°C)
- IP66 weatherproof with included wall mount bracket – ceiling mount available
- PoE+ (802.3at) power option

FLIR CLOUD™ REMOTE VIEWING

Remote access via iOS, Android, PC/Mac when connected to a FLIR NVR

- Centralized viewing and control of up to 64 cameras on each screen with PC/Mac
- Access live or recorded video at any time on your iPhone / Android / iPad
- Advanced mobile app features including remote playback, push notifications for motion/alarm, E-map, manual record/snapshot to device

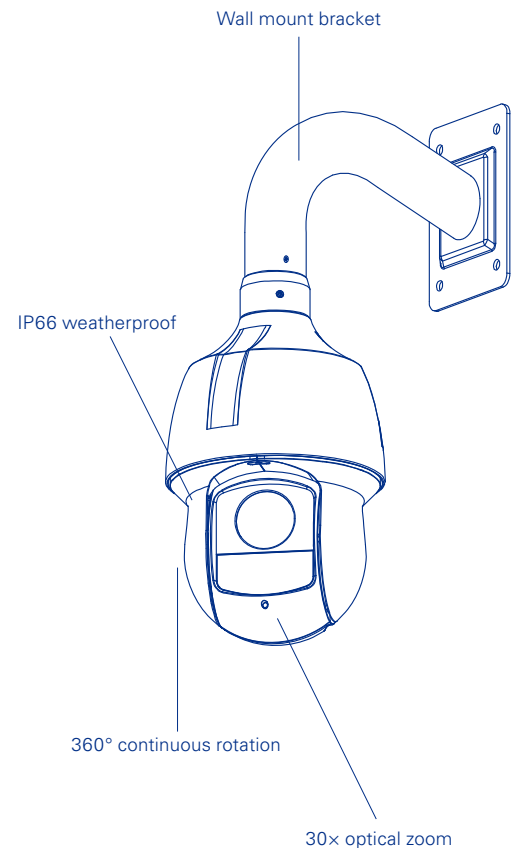


FLIR Cloud™



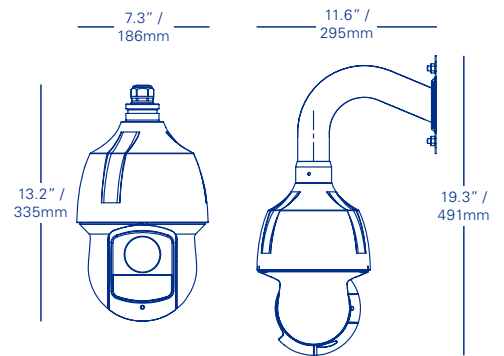
Specifications

CAMERA	
Imaging Device	2.1 MP, 1/2.8"
Effective Pixels	1944x1092
Imager Type	CMOS
Image Readout	Progressive Scan
Day/Night	Auto / Color / BW
Day/Night Delay Adjustment	Yes
Mechanical IR Cut Filter	Yes
Min. Illumination	0.05lux @ 40IRE F1.6 (Color) 0.005lux @ 40IRE F1.6 (B/W)
S/N Ratio	≥ 50dB
Field of View (H)	65.1° ~ 2.34°
IR Illumination / Type	330ft (100m) / 850nm
IR On/Off Control	Yes
Video Output	RJ45
Electronic Shutter Range	1/3 (1/4) ~ 1/30,000s
OPTICAL	
Lens Type	Zoom
Focal Length	4.3 - 135mm
Aperture	F1.6 - F5.0
Optical Zoom	30x Optical
Focus	Auto / Manual
Iris Control Type	Auto / Manual
PAN/TILT	
Pan / Tilt Range	Pan: 0° ~ ±180°/ Tilt: -15° ~ 90°
Auto Flip	Yes, 180°
Continuous Rotation	Yes
Manual Speed (Maximum)	Pan: 300°/sec / Tilt: 200°/sec
Preset Speed (Maximum)	Pan: 350°/sec / Tilt: 300°/sec
Presets	300
Patterns	5
Tours	8
Other PTZ Functions	5 Auto Scans, Auto Pan
VIDEO	
Video Compression	H.264 / H.264H / MJPEG
Video Streams	H.264H / MJPEG Triple Stream
Resolution Selection	1080p (1920x1080) / 720p (1280x720) / D1 (704x576 / 704x480) / CIF (352x288 / 352x240)
Aspect Ratio	16:9
Frame Rates (Maximum)	1080p @ 25/30fps
Bit Rate Control	CBR / VBR (with cap)
Bit Rate Selection	H.264H: 488K~8129Kbps, MJPEG: 56K~20480Kbps
Quality Setting Range (Default)	1-6 (4)
Region of Interest (Selectable Areas)	Yes (4)
Dynamic Range	Up to 50dB
Wide Dynamic Range	Digital WDR
Backlight Compensation	BLC / HLC
White Balance	Auto / Manual
Gain Control	Auto / Manual
Noise Reduction	2D+3D



Specifications

Smart IR	Yes, User Adjustable
Image Stabilization	No
Digital Zoom	4x
Tamper Detection	Yes
Adaptive Lens Correction (ALC)	No
Video Mirroring / Rotation	Horizontal
Video Overlay	Time / Date / Camera / Custom
Window Blanking (Privacy)	Up to 4 Areas
Menu Languages	English
NETWORK	
Protocols	IPv4/IPv6, HTTP, HTTPS, SSL, TCP/IP, UDP, UPnP, ICMP, IGMP, SNMP, RTSP, RTP, SMTP, NTP, DHCP, DNS, PPPOE, DDNS, FTP, IP Filter, QoS, Bonjour, 802.1x
ONVIF Conformance	ONVIF Profile S
RTSP Video	Standard RFC2326, Support QuickTime/VLC
Users	Unicast - Up to 20 Users; Multicast - Up to 20 Users
AUDIO	
Input/Output	1 Input / 1 Output
Encoding	G.711a / G.711u / PCM
MECHANICAL	
Camera Body Material	Aluminum Alloy
Bubble Material	Polycarbonate
Product Dimensions (W x H) (Dome only)	Φ7.3 x 12.2" / Φ186 x 310mm
Product Weight	7.7lbs / 3.5kg
ELECTRICAL	
Network Port	RJ45, 10/100 Base-T
Power Input	24V AC
Power over Ethernet Type (PoE)	PoE+ (802.3at)
Power Consumption (Maximum)	23W (IR on)
Current Consumption (Maximum)	1650mA
Edge Storage	Yes, microSD, Max 128GB
Built-in Heater	No
Alarm I/O	2 Inputs / 1 Outputs
ENVIRONMENTAL	
Storage Temperature	-40° ~ 158°F / -40° ~ 70°C
Storage Humidity	< 90% RH
Operating Temperature	-40° ~ 158°F / -40° ~ 70°C
Operating Humidity	< 90% RH
Cold Start Temperature	-40°F / -40°C
Ingress Protection	IP66 Rated
Vandal Resistance	N/A
PRODUCT INFORMATION	
Weight	13lbs / 5.9kg
Package Dimensions (L x W x H)	10 x 10 x 16.5" / 254 x 254 x 419mm
Package Cube	0.95 cbf / 0.027 cbm



Ordering Information

N336ZD3: 8-41430-01043-2
N336ZD3P: 8-41430-01159-0

Package Dimensions

10 x 10 x 16.5" / 254 x 254 x 419mm

MARKHAM, ONTARIO

FLIR Systems, Inc.
250 Royal Crest Court
Markham, ON L3R 3S1
Canada
PH: +1 866.344.4674

PORTLAND

Corporate Headquarters
FLIR Systems, Inc.
27700 SW Parkway Ave.
Wilsonville, OR 97070
USA
PH: +1 866.477.3687

www.flir.com/security
NASDAQ: FLIR

Equipment described herein may require US Government authorization for export purposes. Diversion contrary to US law is prohibited. Imagery for illustration purposes only. Specifications are subject to change without notice. ©2016 FLIR Systems, Inc. All rights reserved. [Created 02/16/16]