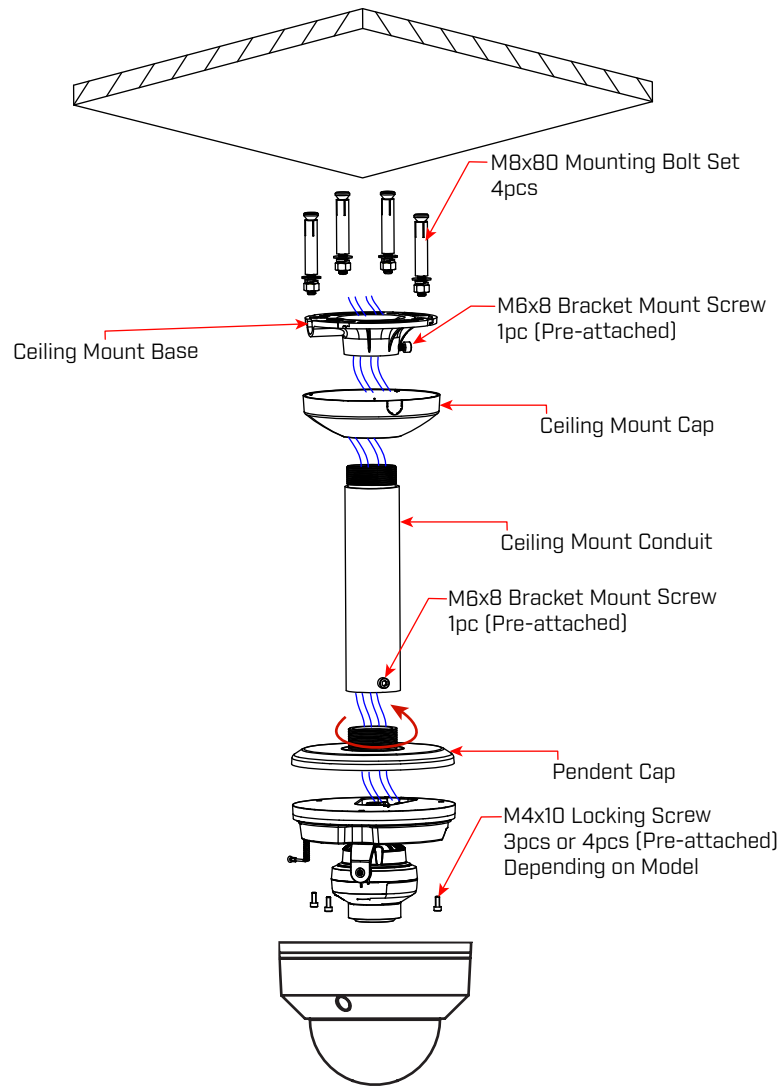


### INSTALLATION

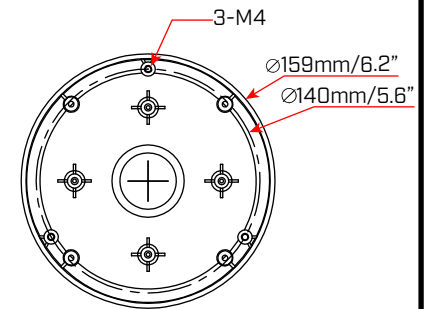
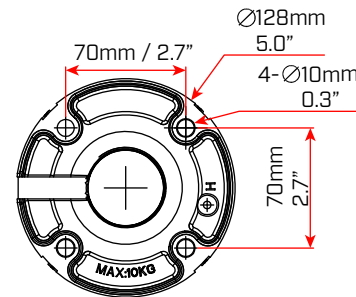
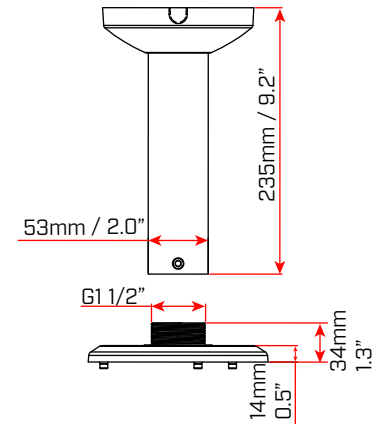
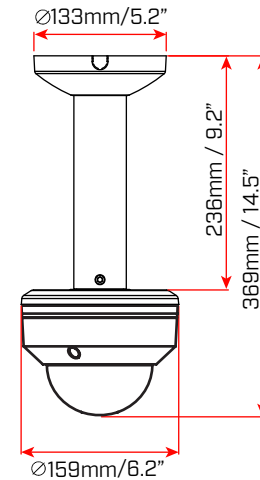
Make sure to install in an area that can support the total weight of the camera and accessories.

For the latest compatibility list, go to [www.flir.com/security/pro](http://www.flir.com/security/pro). From the **Support** drop-down, click **Manuals**. Under **FLIR Resources**, see **Compatibility** to select the correct compatibility list.



### Dimensions (units: mm/inches)

**Weight [units: kg/lbs]:**  
**Ceiling Mount:** 0.78kg / 1.71lbs  
**Pendent Cap:** 0.24kg / 0.52lbs



Ceiling Mount Base

Pendent Cap Base

### Package Contents

