

S6WF1G

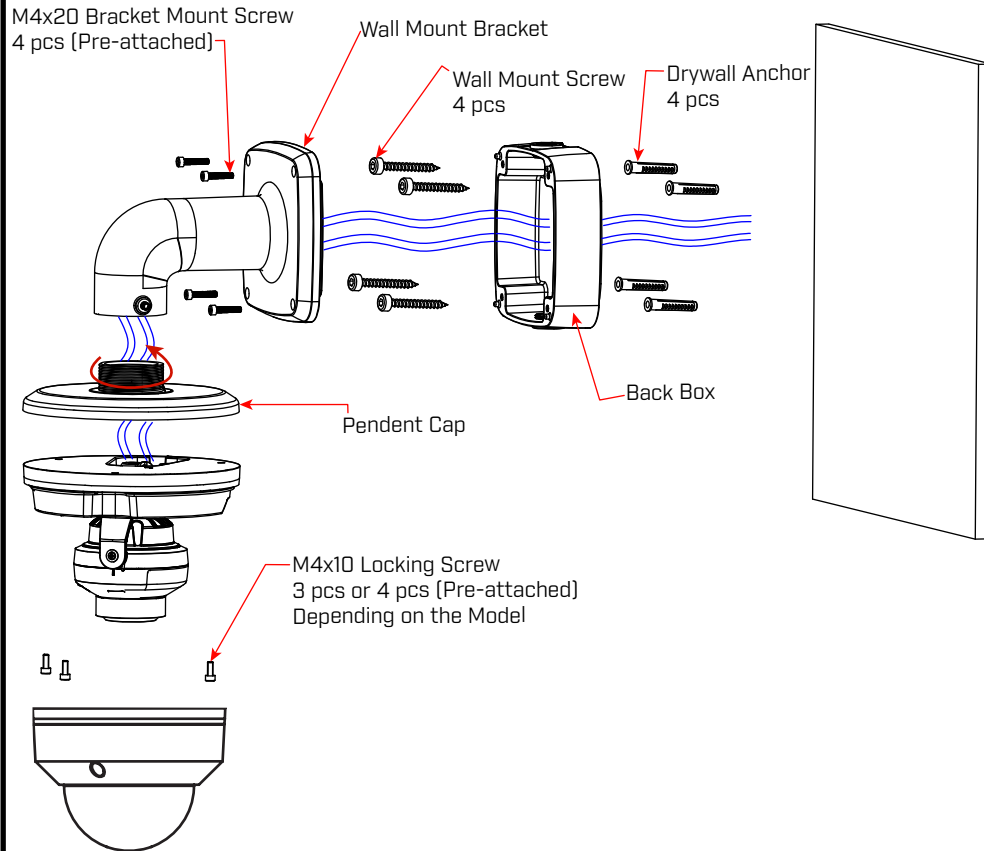
Wall Mounting Bracket



INSTALLATION

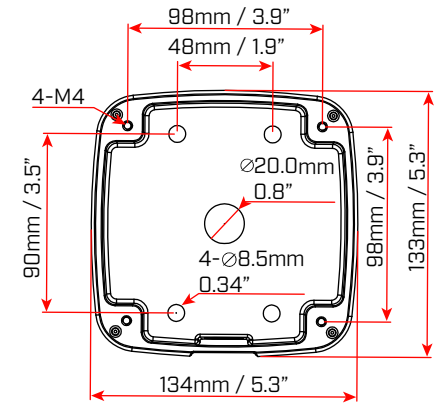
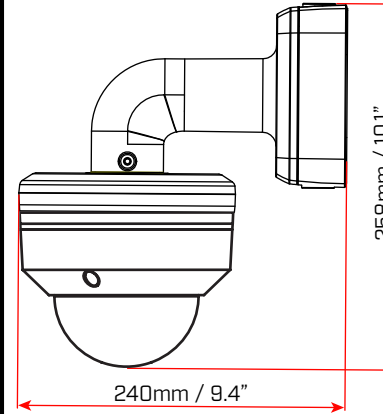
⚠ Make sure to install in an area that can support the total weight of the camera and accessories.

For the latest compatibility list, go to www.flir.com/security/pro. From the **Support** drop-down, click **Manuals**. Under **FLIR Resources**, see **Compatibility** to select the correct compatibility list.

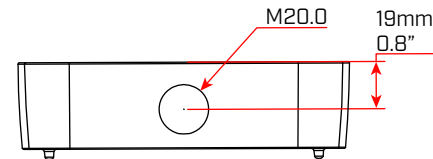


Dimensions (units: mm/inches)

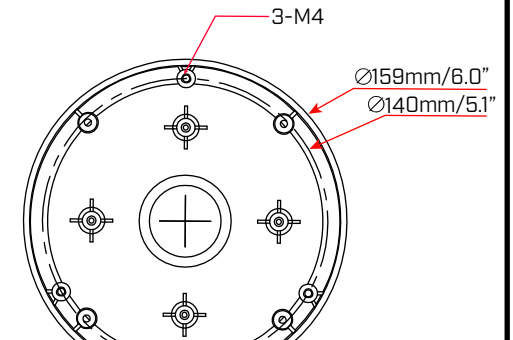
Weight (units: kg/lbs):
Wall Mounting Bracket: 0.70kg / 1.54lbs
Pendent Cap: 0.24kg / 0.52lbs



Wall Mounting Bracket Base

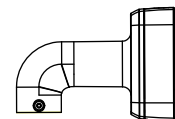


Back Box



Pendent Cap Base

Package Contents



Wall Mounting Bracket, 1pc



Pendent Cap 1pc



ST6x45 Wall Mount Screw 4pcs



M4x10 Locking Screw 3 pcs or 4 pcs (Pre-attached) Depending on the Model



M20 Cable Gland 1pc



S3.0 Allen Key 1pc



Drywall Anchor 4pcs