

# FLIR IP™ N357V8

## 4K Ultra HD WDR Motorized Vandal Dome



N357V8  
4K Ultra HD WDR Motorized Vandal Dome

The FLIR 4K Ultra HD WDR Motorized Vandal Dome offers exceptional performance with 8MP resolution, providing brilliant image clarity and an incredible level of detail in recordings. H.265 delivers improved compression efficiency for significant hard drive space savings, and the camera supports edge storage for recording flexibility. Intelligent compression coupled with Region of Interest (ROI) optimizes video performance based on available bandwidth.

### 4K HD PICTURE QUALITY

*4K Ultra HD (8MP 3840x2160) resolution provides the highest standard in image clarity and detail for evidence collection*

- Ultra HD 4K(8MP)@15fps / 4MP@25fps/ 3MP/1080p/720p@30fps, 1/2.5" CMOS, 130ft (40m) IR range
- True WDR (up to 100dB) creates more detail in high-contrast scenes
- Remote zoom & focus, 2.7-12mm motorized varifocal AI lens, 105-37°(H) field of view

### ADVANCED FEATURES

*H.265 compression coupled with Region of Interest (ROI) optimizes video performance based on available bandwidth*

- Advanced H.265 & Super H.264™ compression technology
- H.265 / H.264 / MJPEG / Triple Stream
- Edge storage support (MicroSD card) – up to 128GB
- 4-Zone Region of Interest

### DURABLE DESIGN

*Installation in any outdoor conditions*

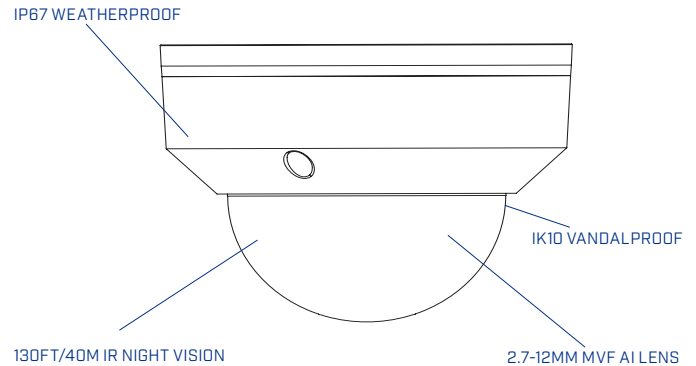
- IP67 weatherproof & IK10 vandal proof ratings
- -22°F/-30°C Cold Climate capable
- Tamper detection
- 12V DC / 24V AC / PoE+ (802.3at)



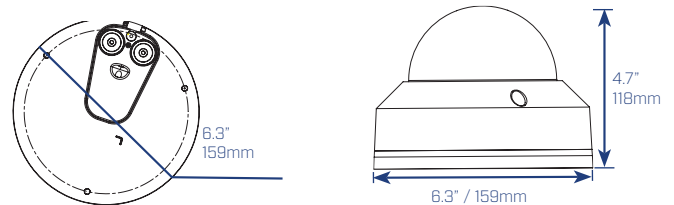
# Specifications

Camera		N357B8	
Imaging Device	Ultra HD 4K/8MP, 1/2.5" Sony Exmor™ CMOS		
Effective Pixels	3840(H) × 2160(V)		
Image Type	Sony Exmor™ CMOS		
Image Readout	Progressive Scan		
Day / Night	Auto (ICR) / Color / B/W		
Mechanical IR Cut Filter	Yes		
Min. Illumination	0.4lux @ F1.4 (Color) 0.06lux @ F1.4 (B/W)		
S/N Ratio	≥56dB		
Field of View (H)	105~37°		
IR Illumination	130ft/40m, 850nm		
IR On / Off Control	Yes		
Video Output	RJ45		
Electronic Shutter Range	1/3(4)s - 1/100,000s		
Optical			
Lens Type	Motorized Lens		
Mount Type	Board Type		
Iris Type	DC Iris		
Iris Control Type	Auto		
Focal Length	2.7-12mm		
Aperture	F1.8~2.9		
Optical Zoom	4.4x		
Focus	AF / Manual		
Video			
Video Compression	Advanced H.265 & Super H.264™		
Video Streams	H.265 / H.264 / MJPEG / Triple Stream		
Resolution Selection	4K (3840x2160)	3MP (2304x1296)	
	6.3MP (3072x2048)	1080p (1920x1080)	
	5.3MP (3072x1728)	SXGA (1280x1024)	
	5MP (2592x1944)	1.3MP (1280x960)	
	4MP (2688x1520)	720p (1280x720)	
	3.7MP (2560x1440)		
Aspect Ratio	16:9 / 4:3 (select non 4K resolutions)		
Frame rates (Maximum)	4K @ 15fps / 4MP @ 25fps / 3MP/1080p/720p @ 25/30fps		
Bit Rate Control	CBR / VBR		
Bit Rate Selection	H.265: 768 ~ 6912Kbps H.264: 2304 ~ 10240Kbps		
Quality Setting Range (default)	1-6 (6)		
Region of Interest (selectable areas)	Yes (4)		
Wide Dynamic Range	True WDR		
Dynamic Range	Up to 100dB		
Backlight Compensation	BLC / HLC		
White Balance	Auto / Manual		
Gain Control	Auto / Manual		
Noise Reduction	3D DNR Advanced		
Smart IR	Yes		
Digital Zoom	Area Selectable		
Tamper Detection	Yes, Tamper / Out of Focus		
Video Mirroring/Rotation	Horizontal Mirror / 90° / 180° / 270°		
Video Overlay	Time / Date / Camera Name / Custom Text / Custom Picture		
Window Blanking (Privacy)	Up to 4 Areas		
Menu Languages	English		
Network			
Protocols	IPv4/IPv6, HTTP, HTTPS, SSL, TCP/IP, UDP, UPnP, ICMP, IGMP, SNMP, RTSP, RTP, SMTP, NTP, DHCP, DNS, PPPOE, DDNS, FTP, IP Filter, QoS, Bonjour		
ONVIF Conformance	Profile S / G		
RTSP Video	Standard RFC2326 / Supports QuickTime/VLC Player / User Security Authentication (Enabled/Disabled)		
Users	20 Users		
Mechanical			
Material	Aluminum Alloy		
Product Dimensions (Dia x H)	6.3 x 4.7" 159 x 118mm		
Product Weight	2.0lb / 0.9kg		
Electrical			
Network Port	RJ45 (10/100 Base-T)		
Analog Video Out (service only)	No		
Power Input	12V DC / 24V AC / PoE+		
Power over Ethernet Type	PoE+ (802.3at)		
Power Consumption	11.4W max.		
Current Consumption	740mA (12V DC) / 475mA (24V AC)		

Additional Features	
Edge Storage	Yes / microSD Type (128GB max.)
Built-in Heater	No
Audio I/O	1 Input / 1 Output
Audio Encoding	G.711a / G.711Mu / G.726 / AAC
Alarm I/O	1 Input / 1 Output
Environmental	
Storage Temperature	-22°F ~ +140°F / -30°C ~ +60°C
Storage Humidity	Less than 95% RH
Operating Temperature	-22°F ~ +140°F / -30°C ~ +60°C
Operating Humidity	Less than 95% RH
Cold Start Temperature	-22°F / -30°C
Ingress Protection	IP67 Rated
Vandal Resistance	IK10 Rated
Certifications	
Certifications	CE / FCC



## Dimensions



## Available Accessories:

N357V8  
 Junction Box (S4JF6G)  
 Wall Mount (S6WF1G)  
 Pole Mount (S6WF1G + S4PA2GS or S6CF1G + S1PA2G)  
 Corner Mount (S6WF1G + S1RA2G)  
 Ceiling Mount (S6CF1G)

## Ordering Information

N347VW4: 8-41430-01858-2

## Package Dimensions

7.6" W × 7.6" H × 8.1" D  
 194mm W × 191mm H × 204mm D

### MARKHAM, ONTARIO

FLIR Systems, Inc.  
 250 Royal Crest Court  
 Markham, ON L3R 3S1  
 Canada  
 PH: +1 866.344.4674

### PORTLAND

Corporate Headquarters  
 FLIR Systems, Inc.  
 27700 SW Parkway Ave.  
 Wilsonville, OR 97070  
 USA  
 PH: +1 866.477.3687  
 www.flir.com/security  
 NASDAQ: FLIR

Equipment described herein may require US Government authorization for export purposes. Diversion contrary to US law is prohibited. Imagery for illustration purposes only. Specifications are subject to change without notice. ©2017 FLIR Systems, Inc. All rights reserved. (Created 10/13/17). 17-3014-SEC.