

PACKAGE CONTENTS:



1 x IP Bullet Camera



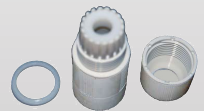
1 x Star Key



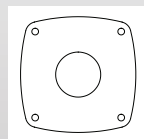
4 x Mounting Screws



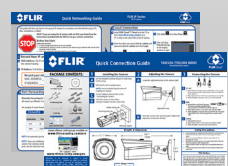
4 x Drywall Anchors



1 x RJ45 Waterproof Cap



1 x Mounting Template



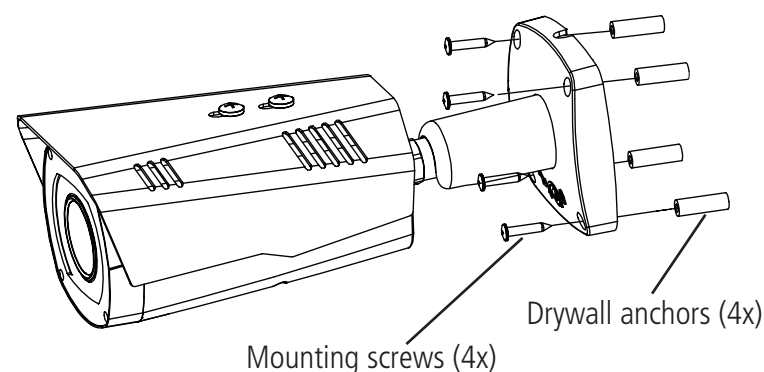
Quick Start Guides



1 x BNC Test Cable

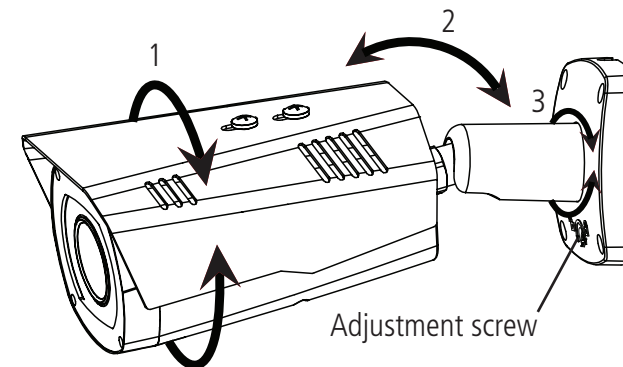
1 Installing the Camera

- A** Use the included mounting template to mark holes for the screws.
- B** Drill holes for the mounting screws.
NOTE: Use the included drywall anchors if installing into drywall.
- C** Connect cables as shown in the section "Connecting the Camera".
- D** Mount the camera to the surface using the included mounting screws (4x).



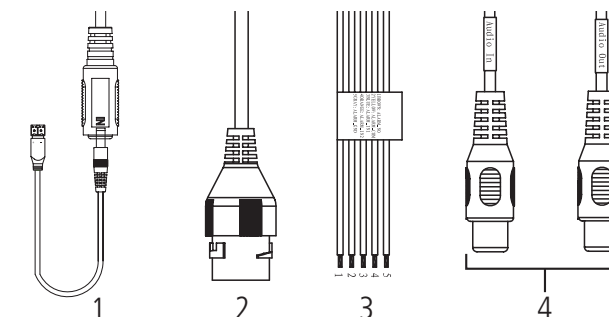
2 Adjusting the Camera

- A** Use the included Star key to loosen the adjustment screw on the camera stand. Tighten the adjustment screw when finished.
 1. Twist the camera to make sure picture is level.
 2. Tilt the camera.
 3. Rotate the camera base.



- B** Remove the vinyl film from the camera lens once installation is complete.

3 Connecting the Camera



- 1. Power Input:** If not using PoE, connect the camera to a 24V AC power source (750mA or higher required).
- 2. Ethernet Port:** Connect the camera to an NVR or a router or switch on your network using Cat5e or better Ethernet cable (not included). PoE Class 3 supported (802.3af).
NOTE: Install the included RJ45 waterproof cap if needed.
- 3. Alarm I/O:** Connect alarm/sensor devices (not included).
- 4. Audio I/O:** See the Instruction Manual for details.

NOTE: The camera has a default setting of 30/25fps. 60/50fps is supported. To use 60/50fps, make sure your recording device supports this setting.

Latest software and manuals available on www.flir.com/security/support

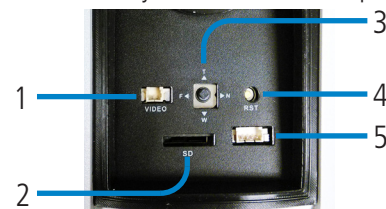


For support, visit www.flir.com/security/support

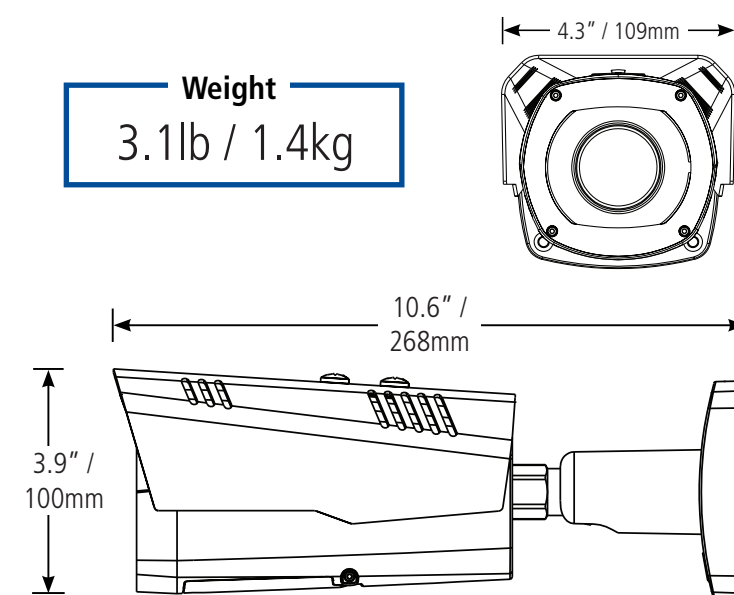
Information in this document is subject to change without notice. As our products are subject to continuous improvement, FLIR Systems, Inc. and our subsidiaries reserve the right to modify product design, specifications and prices, without notice and without incurring any obligation. E&OE © 2015 FLIR Systems, Inc. All rights reserved.

Service Compartment

- A** Use the included Star key to remove the compartment cover.
 1. **Video Out:** Connect a test monitor using the included BNC test cable.
 2. **microSD Slot:** Insert a microSD card (not included) into the slot.
 3. **Zoom Controls:** Hold the joystick left / right to zoom out / in. The camera will focus automatically.
 4. **Reset Button:** Press and hold the button for 5 seconds using a thin object to reset the camera to default settings.
 5. Not supported. Service only.
- B** Close the compartment cover and secure the screw when finished.



Weights & Dimensions



Safety Precautions

- Use an appropriate low voltage power cable to prevent fire or electrical shock.
- Make sure to install the camera in an area that can support the camera weight.
- There are no user serviceable parts inside the camera. Please do not disassemble the camera.
- Do not clean the lens cover with an abrasive cleaning material. Please use a lint free micro-fiber cloth to clean the lens cover.
- Camera is rated for outdoor use (IP66), but is not intended for submersion in water.

FCC Notice

This equipment has been tested and found to comply with the limits for a Class A digital device, pursuant to Part 15 of the FCC Rules. These limits are designed to provide reasonable protection against harmful interference when the equipment is operated in a commercial environment. This equipment generates, uses, and can radiate radio frequency energy and, if not installed and used in accordance with the instruction manual, may cause harmful interference to radio communications. Operation of this equipment in a residential area is likely to cause harmful interference in which case the user will be required to correct the interference at his own expense.