

4MP Bullet & Dome Cameras



P143B4
4MP HD IP Bullet Camera



P143E4
4MP HD IP Eyeball Dome Camera

The **FLIR 4MP HD IP Cameras** offer exceptional 4MP (2688x1520) resolution for an incredible level of detail, available in bullet and dome housings. True WDR capability up to 100dB ensures excellent image quality around the clock, and H.265 delivers improved compression efficiency for significant hard drive space savings. Installation is made simple with integrated PoE, allowing for single cable installation.

HD PICTURE QUALITY

Outstanding image detail, both day and night

- **P143B4** – 4MP HD @ up to 20fps, 1/3" CMOS, 2.8mm lens, 90ft (27m) IR range
- **P143E4** – 4MP HD @ up to 20fps, 1/3" CMOS, 2.8mm lens, 82ft (25m) IR range

EASY INSTALLATION

PoE support for simplified cabling

- 12V DC / PoE (802.3af) operation
- ONVIF Profile S conformance
- Simple wall / ceiling installation

SUPERIOR PERFORMANCE

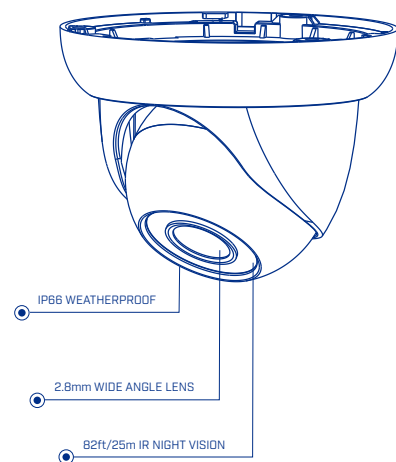
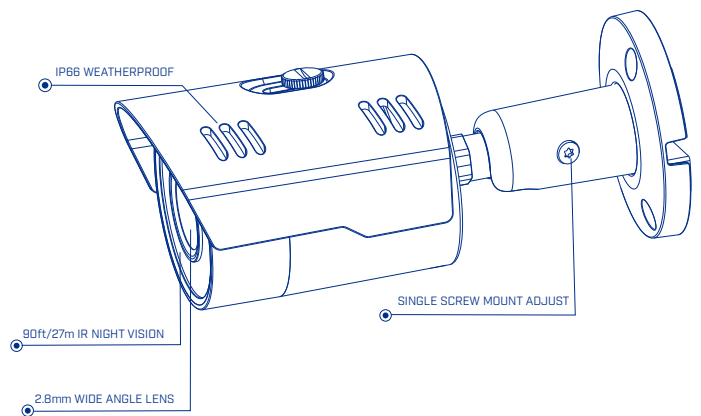
Rugged construction with advanced video correction features

- True Wide Dynamic Range (up to 100dB) provides more accurate detail in high contrast scenes
- Advanced H.265 / Super H.264™ / MJPEG triple stream
- Intelligent compression coupled with Region of Interest (ROI) optimizes video performance based on available bandwidth
- IP66 weatherproof rating with cold climate capability (-22°F / -30°C)



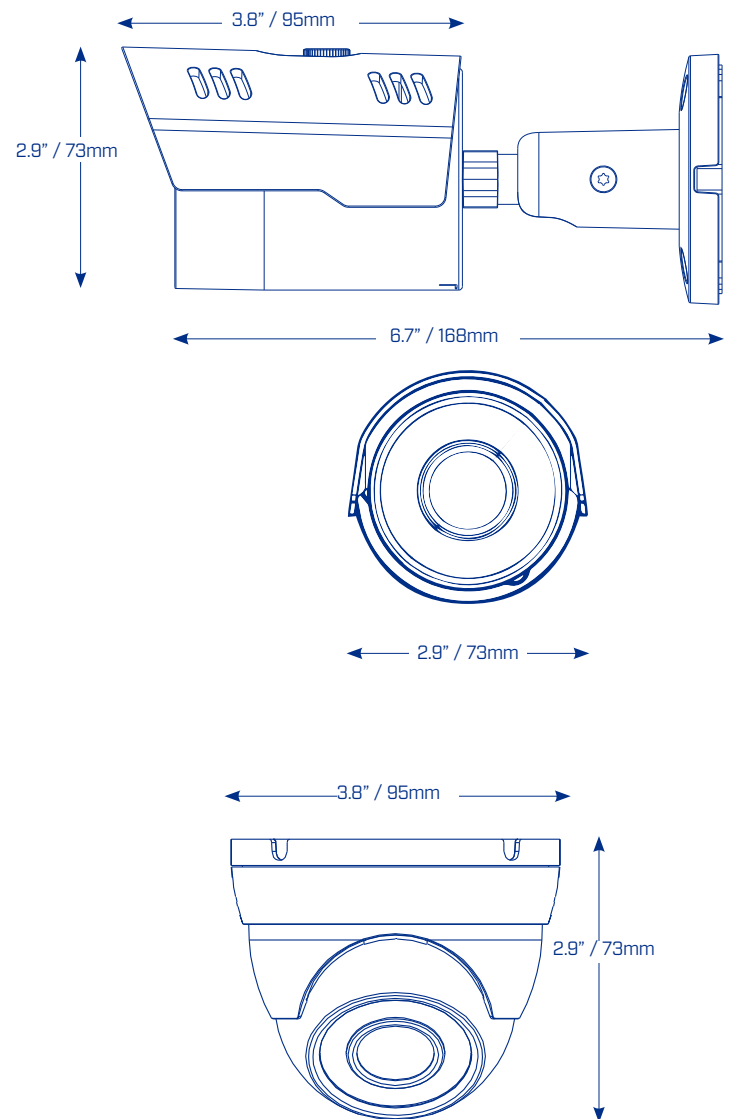
Specifications

Camera	P143B4	P143E4
Image Sensor	1/3" 4MP	
Effective Pixels	H: 2688 × V: 1520	
Imager Type	CMOS	
Image Readout	Progressive Scan	
Day/Night	Auto (ICR) / Color / B/W	
Day/Night Delay Adjustment	Yes	
Mechanical IR Filter	Yes	
Min. Illumination	0.38 lux @ F2.0 (Color), F2.0 lux @ F1.8 (B/W)	
S/N Ratio	46dB (AGC OFF)	
Horizontal Field of View	90°	
IR Illumination Range	90ft / 27m	82ft / 25m
IR Wavelength	850nm	
IR ON/OFF Control	Yes	
Video Output	IP	
Electronic Shutter Range	1/3 (1/4) ~ 1/100,000 seconds	
Optical		
Lens Type	Fixed Lens	
Lens Mount	Board Type	
Iris Type	AES	
Focal Length	2.8mm	
F-Number	F2.0	
Focus	Fixed	
Video		
Video Compression	H.265 / H.264 / MJPEG	
Video Streams	H.265 / H.264 / MJPEG Triple Stream	
Resolution Selection (Mainstream)	4MP(2688 × 1520) / 3.7MP(2560×1440)/ 3MP(2304×1296) / 1080P(1920×1080)/ SXGA (1280×1024) / 1.3MP(1280×960)/ 720P(1280×720)	
Aspect Ratio	16 : 9 (excl. 1.3MP @ 4:3)	
Frame Rates (MAX)	4MP @ up to 20fps / 3MP/1080p/720p @ 25/30fps	
Bit Rate Control	CBR / VBR (with cap)	
Bit Rate Selection (Mainstream)	H.264 – 2,304Kbps ~ 10,240Kbps H.265 – 768Kbps ~ 7,680Kbps / Custom	
Quality Setting Range (Default)	1-6 (6)	
Region of Interest	Yes (4)	
Wide Dynamic Range	True WDR, User selectable	
Dynamic Range	Up to 100dB	
Backlight Compensation	BLC / HLC	
White Balance	Auto / Manual	
Gain Control	Auto / Manual	
Noise Reduction	3D-DNR	
Smart IR	Yes, User Adjustable	
Image Stabilization	No	
Digital Zoom	Up to 10x	
Tamper Protection	Yes	
Adaptive Lens Correction (ALC)	No	
Video Mirroring / Rotation	Horizontal Mirror / 90° / 180° / 270° / Hallway Mode	
Video Overlay	Time / Date / Channel / Title / Custom	
Window Blanking (Privacy)	Up to 4 Areas	
Menu Languages	English	



Specifications

Network	P143B4	P143E4
Protocols	IPv4/IPv6, HTTP, TCP/IP, ARP, UDP, UPnP, RTSP, RTP, SMTP, NTP, DHCP, DNS, DDNS, FTP, QoS	
ONVIF Conformance	Profile S	
RTSP Video	Standard RFC2326, Support QuickTime/VLC Player. User Security Authentication (Enabled/Disabled)	
Unicast Users	Up to 20	
Multicast Users	Up to 20	
Mechanical		
Construction	Aluminum Alloy	
Product Dimensions (W x D x H) / (Dia x H)	2.9 x 6.7 x 2.9" 73 x 168 x 73mm	3.8 x 2.9" 95 x 73mm
Product Weight	0.42kg / 0.85lbs	0.30kg / 0.65lbs
Electrical		
Network Port	RJ45, 10/100 Base-T	
Power Input	12V DC	
Power over Ethernet (PoE) Type	PoE (802.3af)	
Power Consumption (max.)	3.2W	2.8W
Current Consumption (max.)	265mA	230mA
Additional Features		
Edge Storage	N/A	
Built-in Heater	N/A	
Audio I/O	N/A	
Audio Encoding	N/A	
Alarm I/O	N/A	
Environmental		
Storage Temperature	-40° ~ 140°F / -40° ~ 60°C	
Storage Humidity	>95% RH	
Operating Temperature	-22° ~ 140°F / -30° ~ 60°C	
Operating Humidity	>95% RH	
Cold Start Temperature	-22°F / -30°C	
Ingress Protection	IP66	
Certifications		
Certifications	CE / FCC	



Available Accessories

For latest accessory / mount compatibility visit <http://flir.com/security/cameramounts>

Ordering Information

P143B4: 8-41430-01825-4
P143E4: 8-41430-01824-7

Package Dimensions

P143B4: 8.1" W x 4.2" D x 3.8" H / 205mm W x 106mm D x 96mm H
P143E4: 5.4" W x 5.4" D x 4.5" H / 137mm W x 137mm D x 114mm H

MARKHAM, ONTARIO

FLIR Systems, Inc.
250 Royal Crest Court
Markham, ON L3R 3S1
Canada
PH: +1 866.344.4674

PORTLAND

Corporate Headquarters
FLIR Systems, Inc.
27700 SW Parkway Ave.
Wilsonville, OR 97070
USA
PH: +1 866.477.3687

www.flir.com/security
NASDAQ: FLIR

Equipment described herein may require US Government authorization for export purposes. Diversion contrary to US law is prohibited. Imagery for illustration purposes only. Specifications are subject to change without notice. ©2017 FLIR Systems, Inc. All rights reserved. (Created 06/23/2017) (17-2024-SEC)